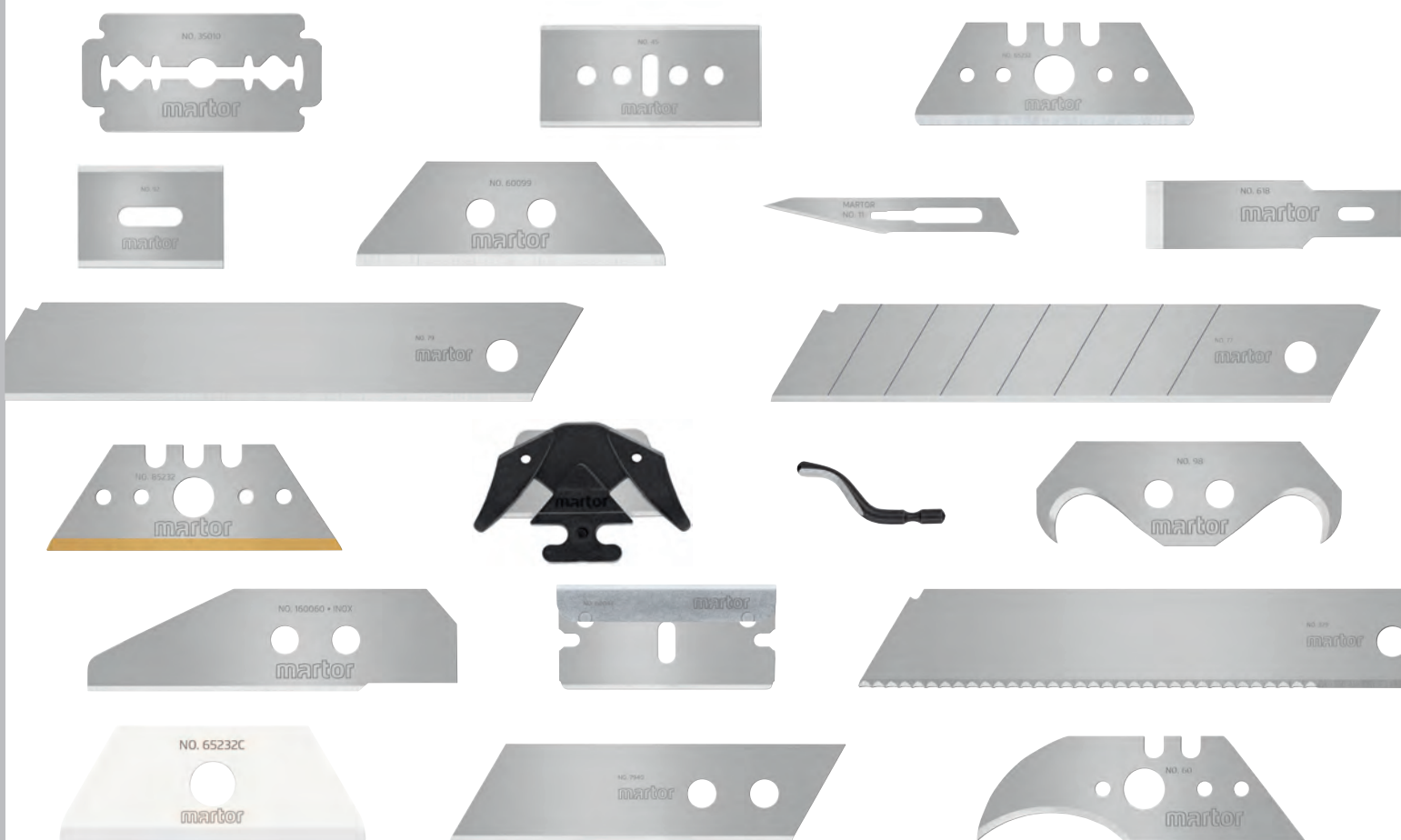


BLADES

2024/2025



THE SAFER WAY TO CUT.

martor



WELCOME TO THE WORLD OF BLADES.

MARTOR is the leading international brand for safe and efficient cutting. Businesses all over the world use our safety knives to perform a wide variety of cutting tasks without injuries. We also have a small, exclusive range of cutting tools for special requirements.

All MARTOR knives use high-quality steel or ceramic blades. A sharp blade transforms a robust, ergonomic MARTOR handle into a professional cutting tool.

This blade catalogue lists the more than 140 MARTOR blades, their properties and the MARTOR knives for which they are intended. A special feature of the catalogue is the presentation of blades (with very few exceptions) in their original size to help you find the right replacement blade.

On the topic of replacement blades, regular turning (when possible) or changing of your blade ensures optimal cutting results. Our wide range of product and service media at www.martor.com will guide you through the process.

COMPLETE TABLE OF CONTENTS

INTRODUCTION

Welcome to the world of blades

Page

3

MARTOR QUALITY BLADES

TRAPEZOID BLADES

HOOK BLADES

CERAMIC BLADES

RECTANGULAR BLADES

STYROPOR BLADES

SNAP-OFF-BLADES

SPECIAL PURPOSE BLADES

SCALPEL BLADES

GRAPHIC BLADES

DEBURRING BLADES

Other blades

Page

4

28

32

36

78

86

88

98

110

128

140

APPENDIX

Pictogram legend

Our additional media

Our website

Table of contents alphabetically

Table of contents numerical

MARTOR worldwide

Legal notice

Page

145

146

147

148

150

152

153

TRAPEZOID BLADE NO. 199

PRODUCT FEATURES

Technical features



TRAPEZOID BLADE NO. 199 from MARTOR is a high-quality blade made of stainless steel. It is very sharp and has two cutting edges that can be used one after the other for a long service life. The wide ground edge makes cutting easier. The blade is 60 mm long, 19 mm wide and 0.63 mm thick. The oil used for the blade is food safe.

TRAPEZOID BLADE NO. 199 is available under order number 199.70 in a dispenser of 10.



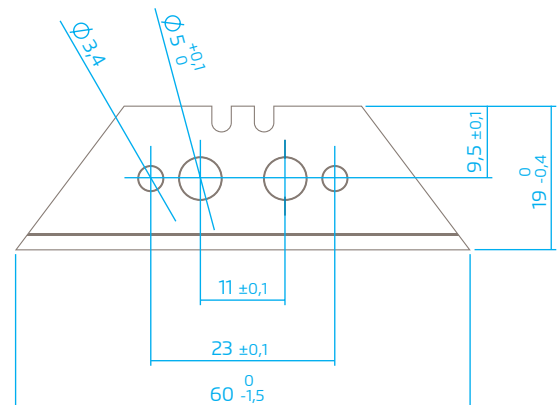
TOPSELLER

Mountable in

SECUPRO MAXISAFE
SECUPRO MEGASAFE
SECUPRO 625
SECUNORM PROFI25 MDP
SECUNORM 525.

PRODUCT DETAILS

Blade size (L x W)	60 x 19 mm
Material thickness	0.63 mm
Weight Blade	3.5 g
Basic material	Steel
Refinement/ Version	stainless steel
Ground	deep-edged, 2-sided ground-edge
Blade facets	Double bevel edge-ground
Blade characteristics	2-cutting edge blade



PACKAGING DETAILS

Order No.	NO. 199.70
Packaging unit (PU)	10 in dispenser
Size PU	64.4 x 26 x 16.0 mm
Weight PU	43.0 g
EAN Code PU	4002632916076
Quantity in outer pack	10 dispensers
Size outer pack	166 x 28 x 67.0 mm
Weight outer pack	450 g
EAN Code outer pack	4002632967399
Customs tariff number	82119400



TRAPEZOID BLADE NO. 5232

PRODUCT FEATURES

Technical features



TRAPEZOID BLADE NO. 5232 from MARTOR is a high-quality blade made of steel. It is very sharp and has two cutting edges that can be used one after the other for a long service life. The wide ground edge makes cutting easier. The blade is 53 mm long, 19 mm wide and 0.63 mm thick.

TRAPEZOID BLADE NO. 5232 is available under order number 5232.70 in a dispenser of 10.

Mountable in

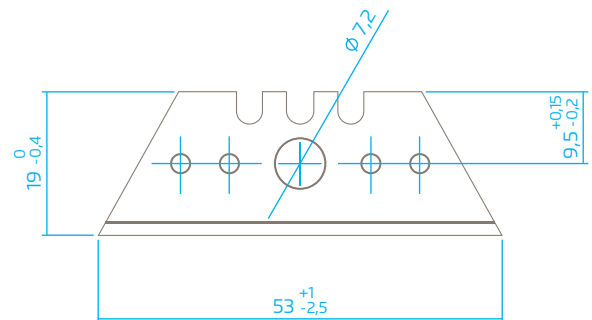
SECUNORM MIZAR
SECUNORM MULTISAFE
SECUNORM 300
SECUNORM 500
SECUNORM PROFI
ARGENTAX MULTIPOS



TOPSELLER

PRODUCT DETAILS

Blade size (L x W)	53 x 19 mm
Material thickness	0.63 mm
Weight Blade	3.3 g
Basic material	Steel
Ground	deep-edged, 2-sided ground-edge
Blade facets	Double bevel edge-ground
Blade characteristics	2-cutting edge blade



PACKAGING DETAILS

Order No.	NO. 5232.70
Packaging unit (PU)	10 in dispenser
Size PU	64.4 x 26 x 16.0 mm
Weight PU	40.0 g
EAN Code PU	4002632900037
Quantity in outer pack	10 dispensers
Size outer pack	166 x 28 x 67.0 mm
Weight outer pack	440 g
EAN Code outer pack	4002632951329
Customs tariff number	82119400



TRAPEZOID BLADE NO. 60099

PRODUCT FEATURES

Technical features



TRAPEZOID BLADE NO. 60099 from MARTOR is a high-quality blade made of steel. It is very sharp and has two cutting edges that can be used one after the other for a long service life. The blade is 55.5 mm long, 19 mm wide and 0.63 mm thick. The deep edge makes cutting easier and the rounded tips increase user safety.

TRAPEZOID BLADE NO. 60099 is available under order number 60099.70 in a dispenser of 10.

Mountable in

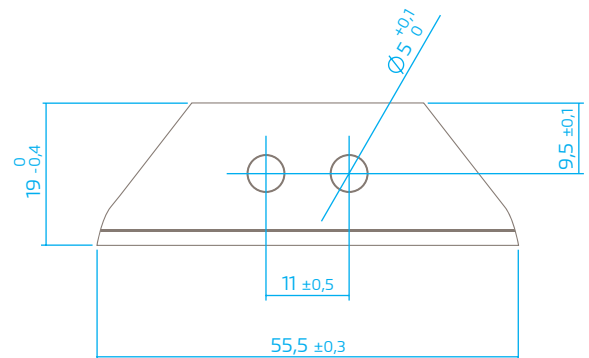
SECUPRO 625
SECUPRO MEGASAFE
SECUPRO MAXISAFE
SECUNORM 525



TOPSELLER

PRODUCT DETAILS

Blade size (L x W)	55.5 x 19 mm
Material thickness	0.63 mm
Weight Blade	3.7 g
Basic material	Steel
Ground	deep-edged, 2-sided ground-edge
Blade facets	Double bevel edge-ground
Safety feature	rounded blade tips
Blade characteristics	2-cutting edge blade



PACKAGING DETAILS

Order No.	NO. 60099.70
Packaging unit (PU)	10 in safety dispenser
Size PU	64.4 x 26 x 16.0 mm
Weight PU	47.0 g
EAN Code PU	4002632916847
Quantity in outer pack	10 safety-dispensers
Size outer pack	166 x 28 x 67.0 mm
Weight outer pack	480 g
EAN Code outer pack	4002632968167
Customs tariff number	82119400



TRAPEZOID BLADE NO. 65232

PRODUCT FEATURES

Technical features



TRAPEZOID BLADE NO. 65232 from MARTOR is a high-quality blade made of steel. It is very sharp and has two cutting edges that can be used one after the other for a long service life. The deep edge makes cutting easier and the rounded tips increase user safety. The blade is 50.1 mm long, 19 mm wide and 0.63 mm thick.

TRAPEZOID BLADE NO. 65232 is available under order number 65232.70 in a dispenser of 10.



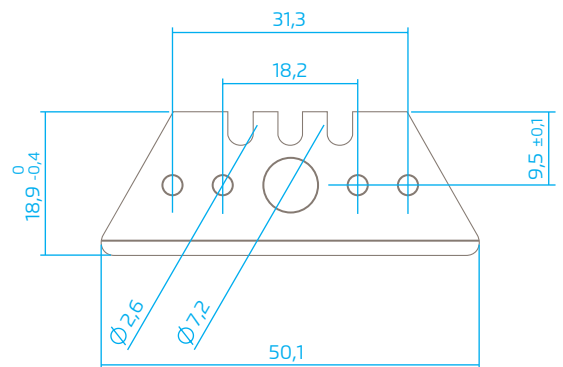
TOPSELLER

Mountable in

SECUNORM MIZAR
SECUNORM MULTISAFE
SECUNORM 300
SECUNORM 500
SECUNORM PROFI
ARGENTAX MULTIPOS

PRODUCT DETAILS

Blade size (L x W)	50.1 x 18.9 mm
Material thickness	0.63 mm
Weight Blade	3.1 g
Basic material	Steel
Ground	deep-edged, 2-sided ground-edge
Blade facets	Double bevel edge-ground
Safety feature	rounded blade tips
Blade characteristics	2-cutting edge blade



PACKAGING DETAILS

Order No.	NO. 65232.70
Packaging unit (PU)	10 in dispenser
Size PU	64.4 x 26 x 16.0 mm
Weight PU	41.5 g
EAN Code PU	4002632909061
Quantity in outer pack	10 dispensers
Size outer pack	166 x 28 x 67.0 mm
Weight outer pack	430 g
EAN Code outer pack	4002632960383
Customs tariff number	82119400



TRAPEZOID BLADE NO. 99

TRAPEZOID BLADE NO. 99 from MARTOR is a high-quality blade made of steel. It is very sharp and has two cutting edges that can be used one after the other for a long service life. The wide ground edge makes cutting easier. The blade is 60.0 mm long, 19 mm wide and 0.63 mm thick.

TRAPEZOID BLADE NO. 99 is available under order number 99.70 in a dispenser of 10.



TOPSELLER

PRODUCT FEATURES

Technical features

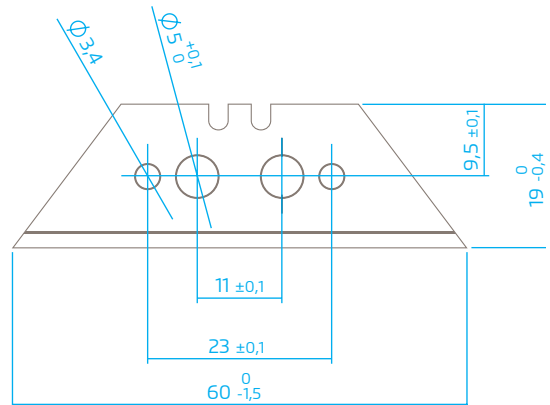


Mountable in

SECUPRO 625
SECUPRO MEGASAFE
SECUPRO MAXISAFE
SECUNORM 525

PRODUCT DETAILS

Blade size (L x W)	60 x 19 mm
Material thickness	0.63 mm
Weight Blade	3.6 g
Basic material	Steel
Ground	deep-edged, 2-sided ground-edge
Blade facets	Double bevel edge-ground
Blade characteristics	2-cutting edge blade



PACKAGING DETAILS

Order No.	NO. 99.70
Packaging unit (PU)	10 in dispenser
Size PU	64.4 x 26 x 16.0 mm
Weight PU	46.0 g
EAN Code PU	4002632914836
Quantity in outer pack	10 dispensers
Size outer pack	166 x 28 x 67.0 mm
Weight outer pack	470 g
EAN Code outer pack	4002632966156
Customs tariff number	82119400



TRAPEZOID BLADE NO. 142

PRODUCT FEATURES

Technical features



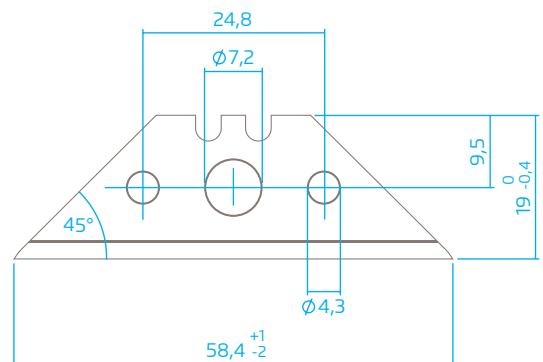
TRAPEZOID BLADE NO. 142 from MARTOR is a high-quality blade made of stainless steel. It is very sharp and has two cutting edges that can be used one after the other for a long service life. The wide ground edge makes cutting easier. The blade is 58.4 mm long, 19 mm wide and 0.45 mm thick. The oil used for the blade is food safe.

TRAPEZOID BLADE NO. 142 is available under order number 142.70 in a dispenser of 10.



PRODUCT DETAILS

Blade size (L x W)	58.4 x 19 mm
Material thickness	0.45 mm
Weight Blade	2.0 g
Basic material	Steel
Refinement/ Version	stainless steel
Ground	deep-edged, 2-sided ground-edge
Blade facets	Double bevel edge-ground
Blade characteristics	2-cutting edge blade



PACKAGING DETAILS

Order No.	NO. 142.70
Packaging unit (PU)	10 in dispenser
Size PU	64.3 x 25.8 x 14.0 mm
Weight PU	29.0 g
EAN Code PU	4002632914065
Quantity in outer pack	10 dispensers
Size outer pack	128 x 29 x 67.0 mm
Weight outer pack	300 g
EAN Code outer pack	4002632965388
Customs tariff number	82119400



TRAPEZOID BLADE NO. 160099

PRODUCT FEATURES

Technical features



TRAPEZOID BLADE NO. 160099 from MARTOR is a high-quality blade made of stainless steel. It is very sharp and has two cutting edges that can be used one after the other for a long service life. The blade is 55.5 mm long, 19 mm wide and 0.63 mm thick. The deep edge makes cutting easier and the rounded tips increase user safety. The oil used for the blade is food safe.

TRAPEZOID BLADE NO. 160099 is available under order number 160099.70 in a safety dispenser of 10.

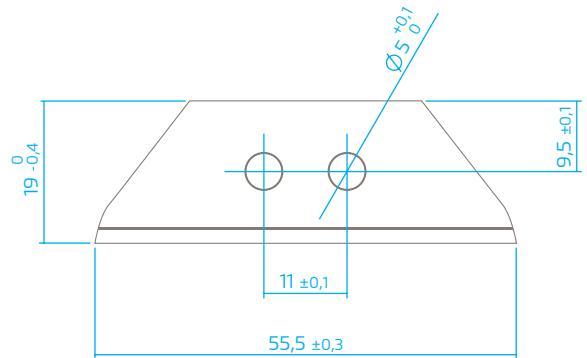


Mountable in

SECUPRO 625
SECUPRO MEGASAFE
SECUPRO MAXISAFE
SECUNORM 525
SECUNORM PROFI25 MDP

PRODUCT DETAILS

Blade size (L x W)	55.5 x 19 mm
Material thickness	0.63 mm
Weight Blade	3.7 g
Basic material	Stainless steel
Refinement/ Version	stainless steel
Ground	deep-edged, 2-sided ground-edge
Blade facets	Double bevel edge-ground
Safety feature	rounded blade tips
Blade characteristics	2-cutting edge blade



PACKAGING DETAILS

Order No.	NO. 160099.70
Packaging unit (PU)	10 in safety dispenser
Size PU	64.4 x 26 x 16.0 mm
Weight PU	47.0 g
EAN Code PU	4002632803666
Quantity in outer pack	10 safety-dispensers
Size outer pack	166 x 28 x 67.0 mm
Weight outer pack	480 g
EAN Code outer pack	4002632853661
Customs tariff number	82119400



TRAPEZOID BLADE NO. 42045

PRODUCT FEATURES

Technical features



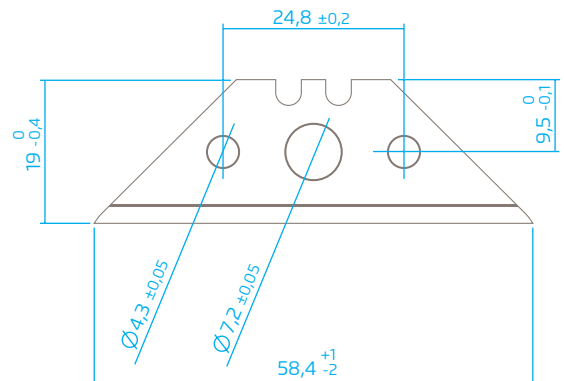
TRAPEZOID BLADE NO. 42045 from MARTOR is a high-quality blade made of steel. It is very sharp and has two cutting edges that can be used one after the other for a long service life. The wide ground edge makes cutting easier. The blade is 58.4 mm long, 19 mm wide and 0.45 mm thick.

TRAPEZOID BLADE NO. 42045 is available under order number 42045.50 in a magazine of 10.



PRODUCT DETAILS

Blade size (L x W)	58.4 x 19 mm
Material thickness	0.45 mm
Weight Blade	2.0 g
Basic material	Steel
Ground	deep-edged, 2-sided ground-edge
Blade facets	Double bevel edge-ground
Blade characteristics	2-cutting edge blade



PACKAGING DETAILS

Order No.	NO. 42045.50
Packaging unit (PU)	10 in magazine
Size PU	66 x 36 x 16.5 mm
Weight PU	37.0 g
EAN Code PU	4002632921667
Quantity in outer pack	10 magazines
Size outer pack	166 x 69 x 38.0 mm
Weight outer pack	410 g
EAN Code outer pack	4002632972980
Customs tariff number	82119400



TRAPEZOID BLADE NO. 42063

PRODUCT FEATURES

Technical features



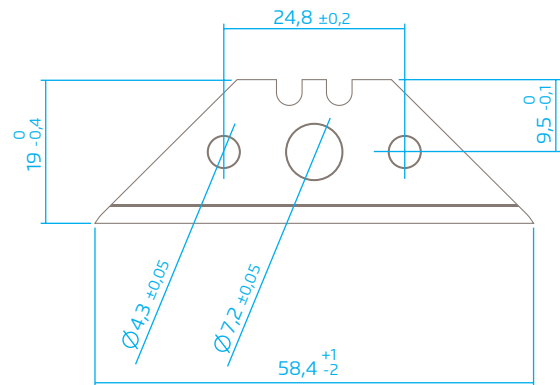
TRAPEZOID BLADE NO. 42063 from MARTOR is a high-quality blade made of steel. It is very sharp and has two cutting edges that can be used one after the other for a long service life. The wide ground edge makes cutting easier. The blade is 58.4 mm long, 19 mm wide and 0.63 mm thick.

TRAPEZOID BLADE NO. 42063 is available under order number 42063.70 in a dispenser of 10.



PRODUCT DETAILS

Blade size (L x W)	58.4 x 19 mm
Material thickness	0.63 mm
Weight Blade	2.9 g
Basic material	Steel
Ground	deep-edged, 2-sided ground-edge
Blade facets	Double bevel edge-ground
Blade characteristics	2-cutting edge blade



PACKAGING DETAILS

Order No.	NO. 42063.70
Packaging unit (PU)	10 in dispenser
Size PU	64.4 x 26 x 16.0 mm
Weight PU	40.0 g
EAN Code PU	4002632915567
Quantity in outer pack	10 dispensers
Size outer pack	166 x 28 x 67.0 mm
Weight outer pack	420 g
EAN Code outer pack	4002632966880
Customs tariff number	82119400



TRAPEZOID BLADE NO. 51

PRODUCT FEATURES

Technical features



TRAPEZOID BLADE NO. 51 from MARTOR is a high-quality blade made of steel. It is very sharp and has two cutting edges that can be used one after the other for a long service life. The blade is 53 mm long, 19 mm wide and 0.63 mm thick.

TRAPEZOID BLADE NO. 51 is available under order number 51.70 in a dispenser of 10.

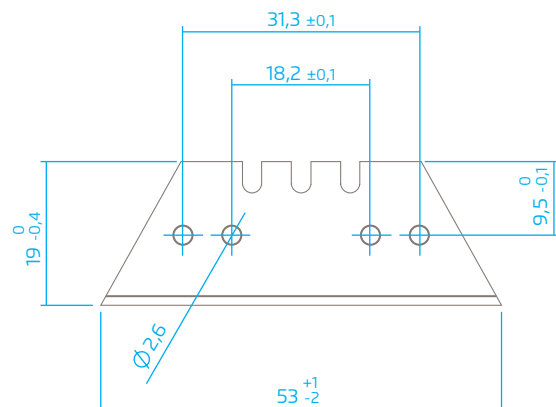
Mountable in

SECUNORM MULTISAFE
ARGENTAX MULTIPOS



PRODUCT DETAILS

Blade size (L x W)	53 x 19 mm
Material thickness	0.63 mm
Weight Blade	3.4 g
Basic material	Steel
Ground	2-sided ground-edge
Blade facets	Double bevel edge-ground
Blade characteristics	2-cutting edge blade



PACKAGING DETAILS

Order No.	NO. 51.70
Packaging unit (PU)	10 in dispenser
Size PU	64.3 x 25.8 x 14.0 mm
Weight PU	42.0 g
EAN Code PU	4002632907128
Quantity in outer pack	10 dispensers
Size outer pack	128 x 29 x 67.0 mm
Weight outer pack	440 g
EAN Code outer pack	4002632958441
Customs tariff number	82119400



TRAPEZOID BLADE NO. 52

PRODUCT FEATURES

Technical features



TRAPEZOID BLADE NO. 52 from MARTOR is a high-quality blade made of steel. It is very sharp and has two cutting edges that can be used one after the other for a long service life. The blade is 53 mm long, 19 mm wide and 0.63 mm thick.

TRAPEZOID BLADE NO. 52 is available under order number 52.70 in a dispenser of 10.

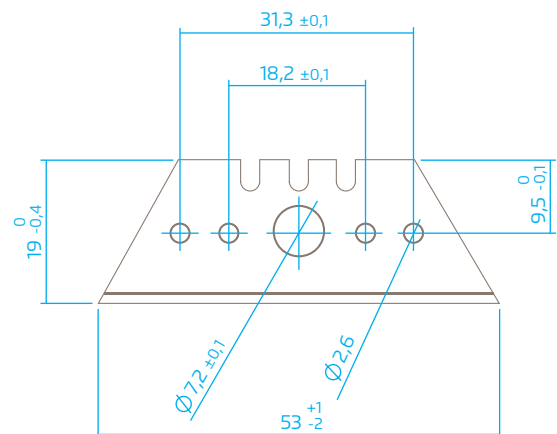


Mountable in

SECUNORM MIZAR
SECUNORM MULTISAFE
SECUNORM 300
SECUNORM 500
SECUNORM PROFI
ARGENTAX MULTIPOS

PRODUCT DETAILS

Blade size (L x W)	53 x 19 mm
Material thickness	0.63 mm
Weight Blade	3.2 g
Basic material	Steel
Ground	2-sided ground-edge
Blade facets	Double bevel edge-ground
Blade characteristics	2-cutting edge blade



PACKAGING DETAILS

Order No.	NO. 52.70
Packaging unit (PU)	10 in dispenser
Size PU	64.3 x 25.8 x 14.0 mm
Weight PU	40.0 g
EAN Code PU	4002632907234
Quantity in outer pack	10 dispensers
Size outer pack	128 x 29 x 67.0 mm
Weight outer pack	420 g
EAN Code outer pack	4002632958557
Customs tariff number	82119400



TRAPEZOID BLADE NO. 5233

PRODUCT FEATURES

Technical features



TRAPEZOID BLADE NO. 5233 from MARTOR is a high-quality blade made of steel. It is very sharp and has two cutting edges that can be used one after the other for a long service life. The blade is 53 mm long, 19 mm wide and 0.63 mm thick.

TRAPEZOID BLADE NO. 5233 is available under order number 5233.70 in a dispenser of 10.

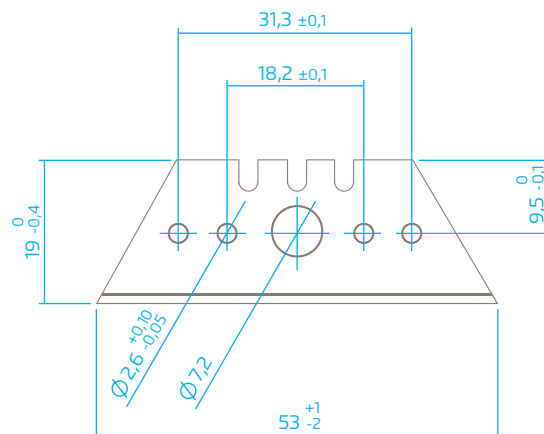
Mountable in

SECUNORM MIZAR
SECUNORM MULTISAFE
SECUNORM 300
SECUNORM 500
SECUNORM PROFI
ARGENTAX MULTIPOS



PRODUCT DETAILS

Blade size (L x W)	53 x 19 mm
Material thickness	0.63 mm
Weight Blade	3.2 g
Basic material	Steel
Ground	1-sided ground-edge
Blade facets	Double bevel edge-ground
Blade characteristics	2-cutting edge blade



PACKAGING DETAILS

Order No.	NO. 5233.70
Packaging unit (PU)	10 in dispenser
Size PU	64.4 x 26 x 16.0 mm
Weight PU	42.0 g
EAN Code PU	4002632907180
Quantity in outer pack	10 dispensers
Size outer pack	128 x 29 x 67.0 mm
Weight outer pack	430 g
EAN Code outer pack	4002632958502
Customs tariff number	82119400



TRAPEZOID BLADE NO. 54

PRODUCT FEATURES

Technical features



TRAPEZOID BLADE NO. 54 from MARTOR is a high-quality blade made of steel. It is very sharp and has two cutting edges that can be used one after the other for a long service life. The blade is 61 mm long, 18.7 mm wide and 0.63 mm thick.

TRAPEZOID BLADE NO. 54 is available under order number 54.42 as 5 paper-wrapped pieces.

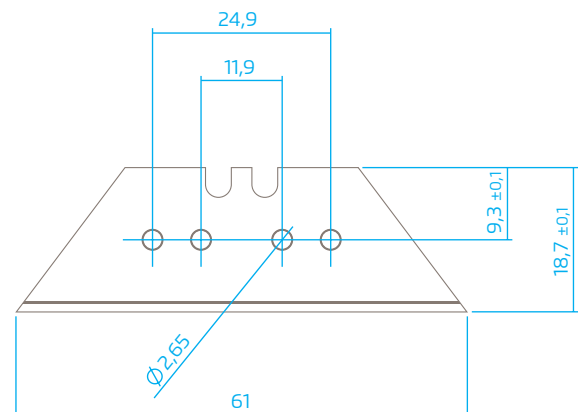
Mountable in

SECUNORM MULTISAFE
ARGENTAX MULTIPOS



PRODUCT DETAILS

Blade size (L x W)	61 x 18.7 mm
Material thickness	0.63 mm
Weight Blade	3.8 g
Basic material	Steel
Ground	2-sided ground-edge
Blade facets	Double bevel edge-ground
Blade characteristics	2-cutting edge blade



PACKAGING DETAILS

Order No.	NO. 54.42
Packaging unit (PU)	5 paper-wrapped
Size PU	67 x 19 x 3 mm
Weight PU	3.9 g
EAN Code PU	4002632907432
Quantity in outer pack	100 blades
Size outer pack	82 x 63 x 24.0 mm
Weight outer pack	390 g
EAN Code outer pack	4002632958755
Customs tariff number	82119400



TRAPEZOID BLADE NO. 54065

PRODUCT FEATURES

Technical features



TRAPEZOID BLADE NO. 54065 from MARTOR is a high-quality blade made of steel. It is very sharp and has two cutting edges that can be used one after the other for a long service life. The blade is 53 mm long, 18.8 mm wide and 0.63 mm thick.

TRAPEZOID BLADE NO. 54065 is available under order number 54065.70 in a dispenser of 10.

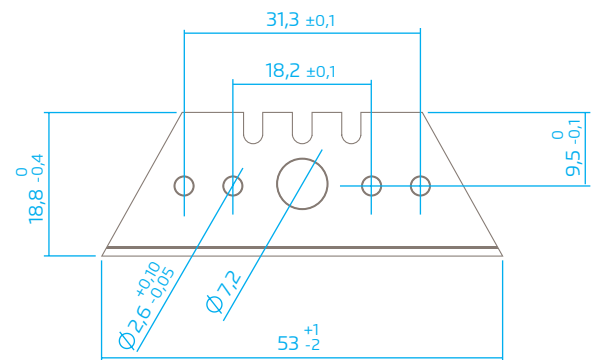
Mountable in

SECUNORM MULTISAFE
ARGENTAX MULTIPOS



PRODUCT DETAILS

Blade size (L x W)	53 x 18.8 mm
Material thickness	0.63 mm
Weight Blade	3.2 g
Basic material	Steel
Ground	2-sided ground-edge
Blade facets	Double bevel edge-ground
Blade characteristics	2-cutting edge blade



PACKAGING DETAILS

Order No.	NO. 54065.70
Packaging unit (PU)	10 in dispenser
Size PU	64.4 x 26 x 16.0 mm
Weight PU	39.5 g
EAN Code PU	4002632907418
Quantity in outer pack	10 dispensers
Size outer pack	128 x 29 x 67.0 mm
Weight outer pack	420 g
EAN Code outer pack	4002632958731
Customs tariff number	82119400



TRAPEZOID BLADE NO. 60095

PRODUCT FEATURES

Technical features



TRAPEZOID BLADE NO. 60095 from MARTOR is a high-quality blade made of steel. It is very sharp and has two cutting edges that can be used one after the other for a long service life. The blade is 40.0 mm long, 19 mm wide and 0.63 mm thick. The deep edge makes cutting easier and the rounded tips increase user safety.

Mountable in

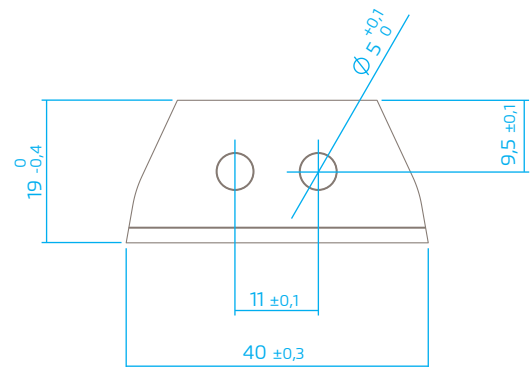
SECUPRO 625

TRAPEZOID BLADE NO. 60095 is available under order number 60095.70 in a transparent pack of 10.



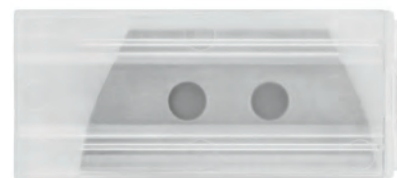
PRODUCT DETAILS

Blade size (L x W)	40 x 19 mm
Material thickness	0.63 mm
Weight Blade	2.8 g
Basic material	Steel
Ground	deep-edged, 2-sided ground-edge
Blade facets	Double bevel edge-ground
Safety feature	rounded blade tips
Blade characteristics	2-cutting edge blade



PACKAGING DETAILS

Order No.	NO. 60095.70
Packaging unit (PU)	10 in transparent pack
Size PU	51 x 23 x 10.0 mm
Weight PU	30.9 g
EAN Code PU	4002632802935
Quantity in outer pack	10 transparent packs
Size outer pack	109 x 55 x 27.0 mm
Weight outer pack	325 g
EAN Code outer pack	4002632852930
Customs tariff number	82119400



TRAPEZOID BLADE NO. 61

PRODUCT FEATURES

Technical features



TRAPEZOID BLADE NO. 61 from MARTOR is a high-quality blade made of steel. It is very sharp and has two cutting edges that can be used one after the other for a long service life. The blade is 60 mm long, 19 mm wide and 0.63 mm thick.

TRAPEZOID BLADE NO. 61 is available under order number 61.70 in a dispenser of 10.

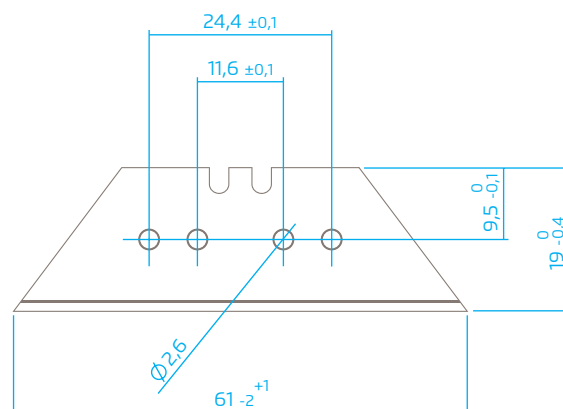
Mountable in

SECUNORM MULTISAFE
ARGENTAX MULTIPOS



PRODUCT DETAILS

Blade size (L x W)	60 x 19 mm
Material thickness	0.63 mm
Weight Blade	3.7 g
Basic material	Steel
Ground	2-sided ground-edge
Blade facets	Double bevel edge-ground
Blade characteristics	2-cutting edge blade



PACKAGING DETAILS

Order No.	NO. 61.70
Packaging unit (PU)	10 in dispenser
Size PU	64.3 x 25.8 x 14.0 mm
Weight PU	45.4 g
EAN Code PU	4002632908392
Quantity in outer pack	10 dispensers
Size outer pack	128 x 29 x 67.0 mm
EAN Code outer pack	4002632959714
Customs tariff number	82119400



TRAPEZOID BLADE NO. 610

PRODUCT FEATURES

Technical features



TRAPEZOID BLADE NO. 610 from MARTOR is a high-quality blade made of stainless steel. It is very sharp and has two cutting edges that can be used one after the other for a long service life. The blade is 53 mm long, 19 mm wide and 0.63 mm thick. The oil used for the blade is food safe.

TRAPEZOID BLADE NO. 610 is available under order number 610.70 in a dispenser of 10.

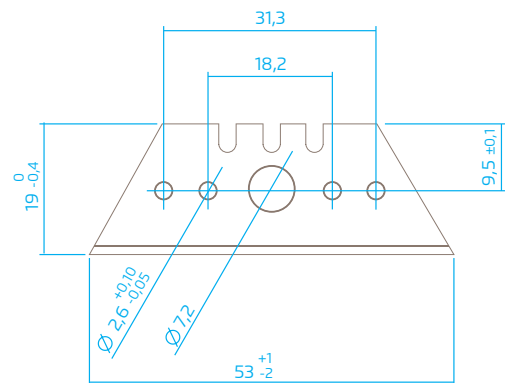


Mountable in

SECUNORM MIZAR
SECUNORM MULTISAFE
SECUNORM 500
SECUNORM 300
SECUNORM PROFI
ARGENTAX MULTIPOS

PRODUCT DETAILS

Blade size (L x W)	53 x 19 mm
Material thickness	0.63 mm
Weight Blade	3.1 g
Basic material	Steel
Refinement/ Version	stainless steel
Ground	2-sided ground-edge
Blade facets	Double bevel edge-ground
Blade characteristics	2-cutting edge blade



PACKAGING DETAILS

Order No.	NO. 610.70
Packaging unit (PU)	10 in dispenser
Size PU	64.4 x 26 x 16.0 mm
Weight PU	39.0 g
EAN Code PU	4002632918148
Quantity in outer pack	10 dispensers
Size outer pack	166 x 28 x 67.0 mm
Weight outer pack	420 g
EAN Code outer pack	4002632969461
Customs tariff number	82119400



TRAPEZOID BLADE NO. 61329

PRODUCT FEATURES

Technical features



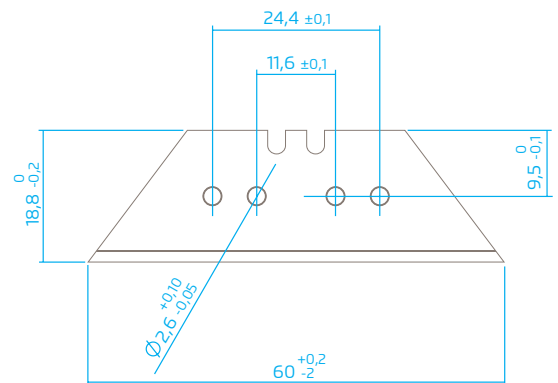
TRAPEZOID BLADE NO. 61329 from MARTOR is a high-quality blade made of steel. It is very sharp and has two cutting edges that can be used one after the other for a long service life. The wide ground edge makes cutting easier. The blade is 60 mm long, 19 mm wide and 0.90 mm thick.

TRAPEZOID BLADE NO. 61329 is available under order number 61329.50 in a magazine of 10.



PRODUCT DETAILS

Blade size (L x W)	60 x 19 mm
Material thickness	0.90 mm
Weight Blade	5.0 g
Basic material	Steel
Ground	deep-edged, 2-sided ground-edge
Blade facets	Double bevel edge-ground
Blade characteristics	2-cutting edge blade



PACKAGING DETAILS

Order No.	NO. 61329.50
Packaging unit (PU)	10 in magazine
Size PU	66 x 36 x 16.5 mm
Weight PU	66.0 g
EAN Code PU	4002632921681
Quantity in outer pack	10 magazines
Size outer pack	166 x 69 x 38.0 mm
Weight outer pack	690 g
EAN Code outer pack	4002632973000
Customs tariff number	82119400



TRAPEZOID BLADE NO. 78

PRODUCT FEATURES

Technical features



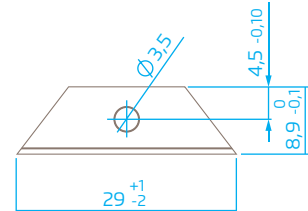
TRAPEZOID BLADE NO. 78 from MARTOR is a high-quality blade made of steel. It is very sharp and has two cutting edges that can be used one after the other for a long service life. The blade is 29 mm long, 8.9 mm wide and 0.45 mm thick.

TRAPEZOID BLADE NO. 78 is available under order number 78.50 in a magazine of 10.



PRODUCT DETAILS

Blade size (L x W)	29 x 8.9 mm
Material thickness	0.45 mm
Weight Blade	0.6 g
Basic material	Steel
Ground	2-sided ground-edge
Blade facets	Double bevel edge-ground
Blade characteristics	2-cutting edge blade



PACKAGING DETAILS

Order No.	NO. 78.50
Packaging unit (PU)	10 in magazine
Size PU	66 x 25 x 18.5 mm
Weight PU	17.6 g
EAN Code PU	4002632911200
Quantity in outer pack	10 magazines
Size outer pack	188 x 69 x 27.5 mm
Weight outer pack	200 g
EAN Code outer pack	4002632962523
Customs tariff number	82119400



TRAPEZOID BLADE NO. 852

PRODUCT FEATURES

Technical features



TRAPEZOID BLADE NO. 852 from MARTOR is a high-quality blade made of stainless steel with TiN-coating. It is very sharp and has two cutting edges that can be used one after the other for a long service life. The blade is 53 mm long, 19 mm wide and 0.63 mm thick. The oil used for the blade is food safe.

TRAPEZOID BLADE NO. 852 is available under order number 852.42 as 5 paper-wrapped pieces.

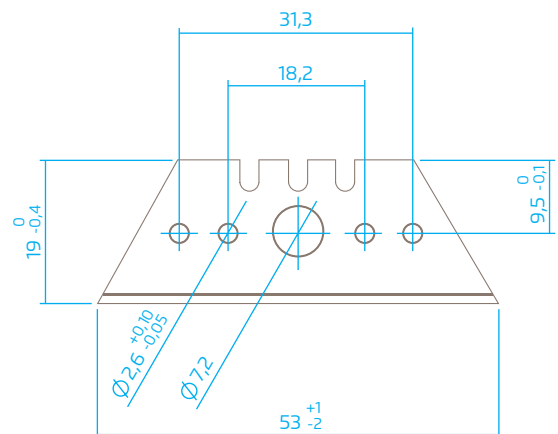


Mountable in

SECUNORM MIZAR
SECUNORM MULTISAFE
SECUNORM 300
SECUNORM 500
SECUNORM PROFI
ARGENTAX MULTIPOS

PRODUCT DETAILS

Blade size (L x W)	53 x 19 mm
Material thickness	0.63 mm
Weight Blade	3.1 g
Basic material	Steel
Refinement/ Version	stainless steel, TiN-coated
Ground	2-sided ground-edge
Blade facets	Double bevel edge-ground
Blade characteristics	2-cutting edge blade



PACKAGING DETAILS

Order No.	NO. 852.42
Packaging unit (PU)	5 paper-wrapped
Size PU	55 x 19.6 x 3.4 mm
Weight PU	16.0 g
EAN Code PU	4002632911842
Quantity in outer pack	100 blades
Size outer pack	82 x 63 x 24.0 mm
Weight outer pack	330 g
EAN Code outer pack	4002632963162
Customs tariff number	82119400



TRAPEZOID BLADE NO. 85232

PRODUCT FEATURES

Technical features



TRAPEZOID BLADE NO. 85232 from MARTOR is a high-quality blade made of steel with TiN-coating. It is very sharp and has two cutting edges that can be used one after the other for a long service life. The wide ground edge makes cutting easier. The blade is 53 mm long, 19 mm wide and 0.63 mm thick.

TRAPEZOID BLADE NO. 85232 is available under order number 85232.70 in a dispenser of 10.

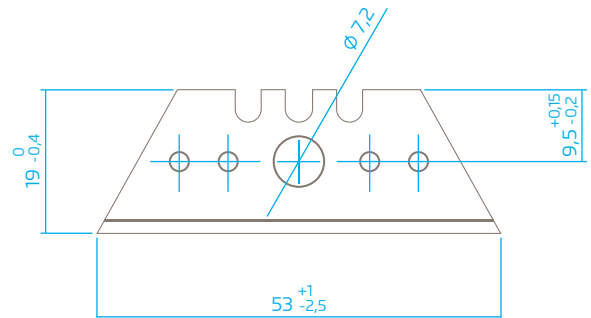


Mountable in

SECUNORM MIZAR
SECUNORM MULTISAFE
SECUNORM 300
SECUNORM 500
SECUNORM PROFI
ARGENTAX MULTIPOS

PRODUCT DETAILS

Blade size (L x W)	53 x 19 mm
Material thickness	0.63 mm
Weight Blade	2.7 g
Basic material	Steel
Refinement/ Version	TiN-coated
Ground	deep-edged, 2-sided ground-edge
Blade facets	Double bevel edge-ground
Blade characteristics	2-cutting edge blade



PACKAGING DETAILS

Order No.	NO. 85232.70
Packaging unit (PU)	10 in dispenser
Size PU	64.4 x 26 x 16.0 mm
Weight PU	40.0 g
EAN Code PU	4002632920240
Quantity in outer pack	10 dispensers
Size outer pack	128 x 29 x 67.0 mm
Weight outer pack	420 g
EAN Code outer pack	4002632971563
Customs tariff number	82119400



TRAPEZOID BLADE NO. 85233

PRODUCT FEATURES

Technical features



TRAPEZOID BLADE NO. 85233 from MARTOR is a high-quality blade made of steel with TiN-coating. It is very sharp and has two cutting edges that can be used one after the other for a long service life. The blade is 53 mm long, 19 mm wide and 0.63 mm thick.

TRAPEZOID BLADE NO. 85233 is available under order number 85233.70 in a dispenser of 10.

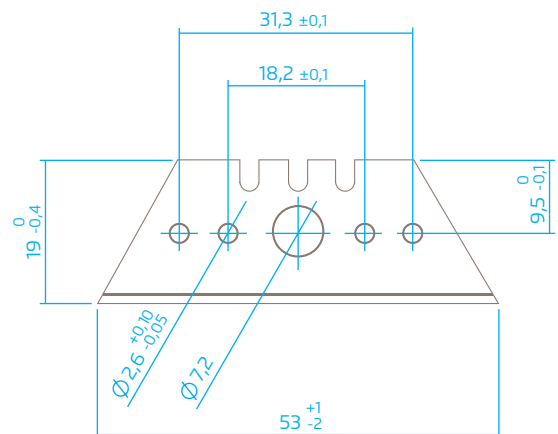


Mountable in

SECUNORM MIZAR
SECUNORM MULTISAFE
SECUNORM 300
SECUNORM 500
SECUNORM PROFI
ARGENTAX MULTIPOS

PRODUCT DETAILS

Blade size (L x W)	53 x 19 mm
Material thickness	0.63 mm
Weight Blade	3.3 g
Basic material	Steel
Refinement/ Version	TiN-coated
Ground	1-sided ground-edge
Blade facets	Double bevel edge-ground
Blade characteristics	2-cutting edge blade



PACKAGING DETAILS

Order No.	NO. 85233.70
Packaging unit (PU)	10 in dispenser
Size PU	64.3 x 25.8 x 14.0 mm
Weight PU	41.0 g
EAN Code PU	4002632911835
Quantity in outer pack	10 dispensers
Size outer pack	128 x 29 x 67.0 mm
Weight outer pack	420 g
EAN Code outer pack	4002632963155
Customs tariff number	82119400



TRAPEZOID BLADE NO. 8852

PRODUCT FEATURES

Technical features



TRAPEZOID BLADE NO. 8852 from MARTOR is a high-quality blade made of steel with TiN-coating. It is very sharp and has two cutting edges that can be used one after the other for a long service life. The blade is 53 mm long, 19 mm wide and 0.63 mm thick.

TRAPEZOID BLADE NO. 8852 is available under order number 8852.70 in a dispenser of 10.

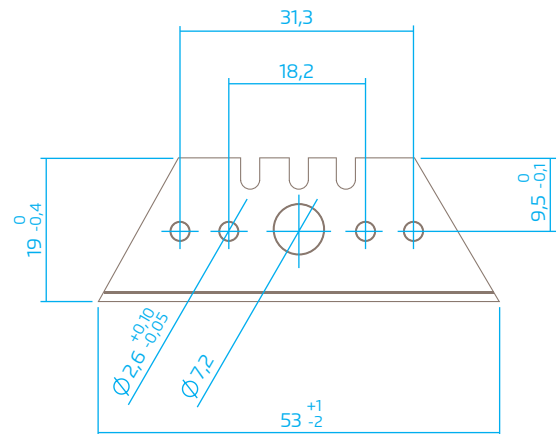


Mountable in

SECUNORM MIZAR
SECUNORM MULTISAFE
SECUNORM 300
SECUNORM 500
SECUNORM PROFI
ARGENTAX MULTIPOS

PRODUCT DETAILS

Blade size (L x W)	53 x 19 mm
Material thickness	0.63 mm
Weight Blade	3.2 g
Basic material	Steel
Refinement/ Version	TiN-coated
Ground	2-sided ground-edge
Blade facets	Double bevel edge-ground
Blade characteristics	2-cutting edge blade



PACKAGING DETAILS

Order No.	NO. 8852.70
Packaging unit (PU)	10 in dispenser
Size PU	64.3 x 25.8 x 14.0 mm
Weight PU	30.7 g
EAN Code PU	4002632918360
Quantity in outer pack	10 dispensers
Size outer pack	128 x 29 x 67.0 mm
Weight outer pack	420 g
EAN Code outer pack	4002632969683
Customs tariff number	82119400



HOOK BLADE NO. 98

HOOKED BLADE NO. 98 from MARTOR is a high-quality blade made of steel. It is very sharp and has two cutting edges that can be used one after the other for a long service life. The blade is 54.8 mm long, 19 mm wide and 0.63 mm thick.

HOOKED BLADE NO. 98 is available under order number 98.70 in a dispenser of 10.



TOPSELLER

PRODUCT FEATURES

Technical features

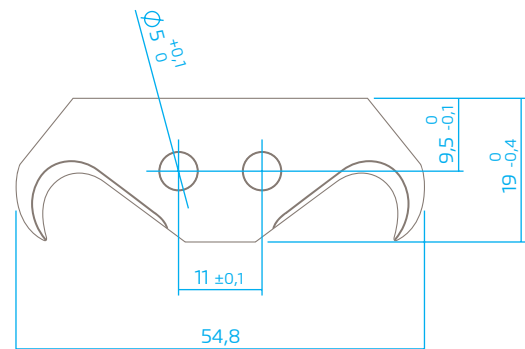


Mountable in

SECUPRO MAXISAFE
SECUPRO MEGASAFE
SECUPRO 625
SECUNORM 525

PRODUCT DETAILS

Blade size (L x W)	54.8 x 19 mm
Material thickness	0.63 mm
Weight Blade	3.0 g
Basic material	Steel
Ground	Spezienschliff, 2-sided ground-edge
Blade facets	Single bevel edge-ground
Blade characteristics	2-cutting edge blade



PACKAGING DETAILS

Order No.	NO. 98.70
Packaging unit (PU)	10 in dispenser
Size PU	64.4 x 26 x 16.0 mm
Weight PU	38.4 g
EAN Code PU	4002632915086
Quantity in outer pack	10 dispensers
Size outer pack	128 x 29 x 67.0 mm
Weight outer pack	400 g
EAN Code outer pack	4002632966408
Customs tariff number	82119400



HOOK BLADE NO. 56

PRODUCT FEATURES

Technical features



HOOKED BLADE NO. 56 from MARTOR is a high-quality blade made of steel. It is very sharp and has two cutting edges that can be used one after the other for a long service life. The blade is 51 mm long, 19 mm wide and 0.63 mm thick.

HOOKED BLADE NO. 56 is available under order number 56.70 in a dispenser of 10.

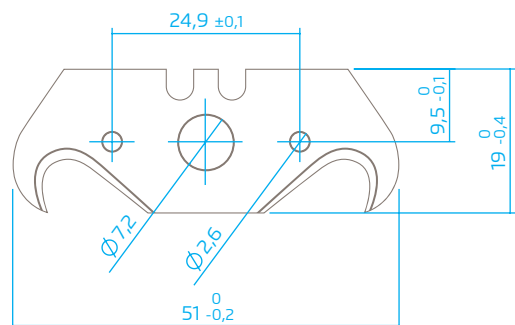
Mountable in

SECUNORM MIZAR
SECUNORM MULTISAFE
SECUNORM 300
SECUNORM 500
SECUNORM PROFI
ARGENTAX MULTIPOS



PRODUCT DETAILS

Blade size (L x W)	51 x 19 mm
Material thickness	0.63 mm
Weight Blade	3.2 g
Basic material	Steel
Ground	Spezienschliff, 2-sided ground-edge
Blade facets	Single bevel edge-ground
Blade characteristics	2-cutting edge blade



PACKAGING DETAILS

Order No.	NO. 56.70
Packaging unit (PU)	10 in dispenser
Size PU	64.3 x 25.8 x 14.0 mm
Weight PU	42.7 g
EAN Code PU	4002632907654
Quantity in outer pack	10 dispensers
Size outer pack	128 x 29 x 67.0 mm
Weight outer pack	420 g
EAN Code outer pack	4002632958977
Customs tariff number	82119400



HOOK BLADE NO. 5634

HOOKED BLADE NO. 5634 from MARTOR is a high-quality blade made of steel. It is very sharp and has two cutting edges that can be used one after the other for a long service life. Rounded tips increase user safety. The blade is 51 mm long, 18.8 mm wide and 0.63 mm thick.

HOOKED BLADE NO. 5634 is available under order number 5634.70 in a dispenser of 10.



PRODUCT FEATURES

Technical features

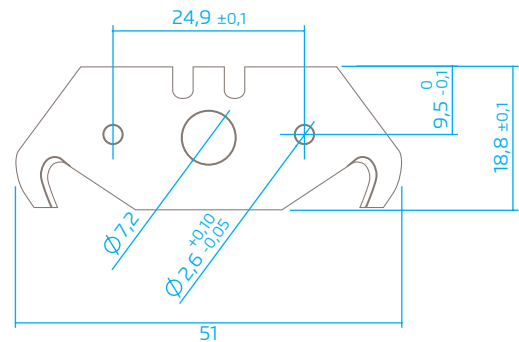


Mountable in

SECUNORM MULTISAFE
SECUNORM 300
SECUNORM 500
SECUNORM PROFI
ARGENTAX MULTIPOS

PRODUCT DETAILS

Blade size (L x W)	51 x 18.8 mm
Material thickness	0.63 mm
Weight Blade	3.2 g
Basic material	Steel
Ground	Spezienschliff, 2-sided ground-edge
Blade facets	Single bevel edge-ground
Safety feature	rounded blade tips
Blade characteristics	2-cutting edge blade



PACKAGING DETAILS

Order No.	NO. 5634.70
Packaging unit (PU)	10 in dispenser
Size PU	64.3 x 25.8 x 14.0 mm
Weight PU	41.3 g
EAN Code PU	4002632907623
Quantity in outer pack	10 dispensers
Size outer pack	128 x 29 x 67.0 mm
Weight outer pack	430 g
EAN Code outer pack	4002632958946
Customs tariff number	82119400



HOOK BLADE NO. 60

PRODUCT FEATURES

Technical features



HOOKED BLADE NO. 60 from MARTOR is a high-quality blade made of steel. It is very sharp and has one usable cutting edge. The blade is 59 mm long, 19 mm wide and 0.63 mm thick.

HOOKED BLADE NO. 60 is available under order number 60.70 in a dispenser of 10.

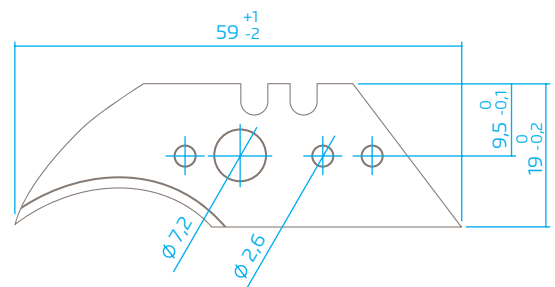
Mountable in

SECUNORM MULTISAFE
SECUNORM PROFI
ARGENTAX MULTIPOS



PRODUCT DETAILS

Blade size (L x W)	59 x 19 mm
Material thickness	0.63 mm
Weight Blade	3.3 g
Basic material	Steel
Ground	2-sided ground-edge
Blade facets	Single bevel edge-ground
Blade characteristics	1-cutting edge blade



PACKAGING DETAILS

Order No.	NO. 60.70
Packaging unit (PU)	10 in dispenser
Size PU	64.3 x 25.8 x 14.0 mm
Weight PU	41.8 g
EAN Code PU	4002632908255
Quantity in outer pack	10 dispensers
Size outer pack	128 x 29 x 67.0 mm
Weight outer pack	430 g
EAN Code outer pack	4002632959578
Customs tariff number	82119400



CERAMIC BLADE NO. 60099C

CERAMIC BLADE NO 60099C is a very high-quality blade made of ceramic. It remains very sharp for a very long time and has two cutting edges that can be used one after the other for an even longer service life. The deep edge makes cutting easier and the rounded tips increase user safety. The blade is 55.5 mm long, 19 mm wide and 0.65 mm thick.

CERAMIC BLADE NO. 60099C is available under order number 1760099.25 as 2 on a self-service card.



TOPSELLER

PRODUCT FEATURES

Technical features

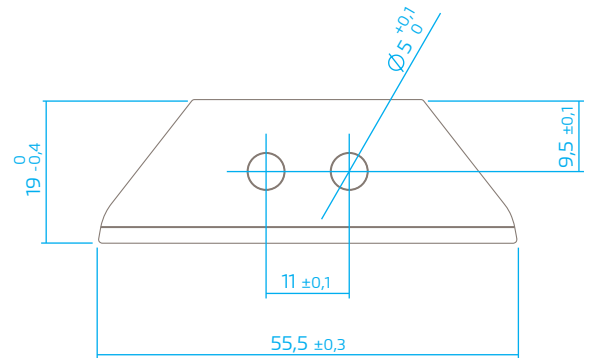


Mountable in

SECUPRO MAXISAFE
SECUPRO MEGASAFE
SECUNORM 525

PRODUCT DETAILS

Blade size (L x W)	55.5 x 19 mm
Material thickness	0.65 mm
Weight Blade	2.6 g
Basic material	Ceramic
Refinement/ Version	stainless and acid resistant
Ground	deep-edged, 2-sided ground-edge
Blade facets	Double bevel edge-ground
Safety feature	rounded blade tips
Blade characteristics	2-cutting edge blade



PACKAGING DETAILS

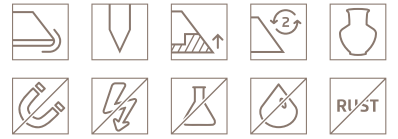
Order No.	NO. 1760099.25
Packaging unit (PU)	2 on self-service card
Size PU	84.5 x 5 x 160.0 mm
Weight PU	22.0 g
EAN Code PU	4002632801730
Customs tariff number	69149000



CERAMIC BLADE NO. 65232C

PRODUCT FEATURES

Technical features



Mountable in

SECUNORM MIZAR
SECUNORM 300
SECUNORM 500
SECUNORM PROFI

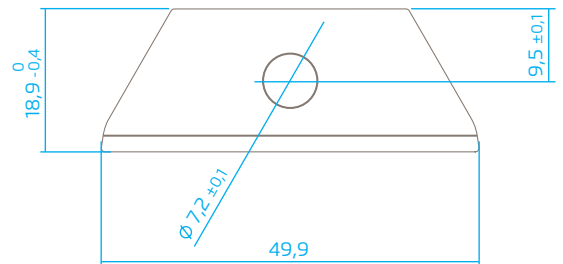
CERAMIC BLADE NO 65232C is a very high-quality blade made of ceramic. It remains very sharp for a very long time and has two cutting edges that can be used one after the other for an even longer service life. The deep edge makes cutting easier and the rounded tips increase user safety. The blade is 49.9 mm long, 19 mm wide and 0.65 mm thick.

CERAMIC BLADE NO. 65232C is available under order number 1765232.25 as 2 on a self-service card.



PRODUCT DETAILS

Blade size (L x W)	49.9 x 19 mm
Material thickness	0.65 mm
Weight Blade	2.5 g
Basic material	Ceramic
Refinement/ Version	stainless and acid resistant
Ground	deep-edged, 2-sided ground-edge
Blade facets	Double bevel edge-ground
Safety feature	rounded blade tips
Blade characteristics	2-cutting edge blade



PACKAGING DETAILS

Order No.	NO. 1765232.25
Packaging unit (PU)	2 on self-service card
Size PU	84.5 x 5 x 160.0 mm
Weight PU	21.5 g
EAN Code PU	4002632801747
Customs tariff number	69149000



CERAMIC BLADE NO. 92C

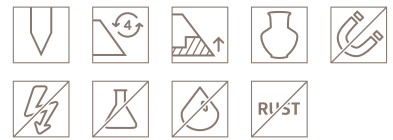
CERAMIC BLADE NO 92C is a very high-quality blade made of ceramic. It remains very sharp for a very long time and has four cutting edges that can be used one after the other for an extra long service life. The wide ground edge makes cutting easier. The blade is 26 mm long, 18.5 mm wide and 0.50 mm thick.

CERAMIC BLADE NO. 92C is available under order number 1792.25 as 2 on a self-service card.



PRODUCT FEATURES

Technical features

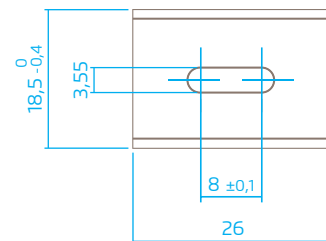


Mountable in

SECUMAX 320
SECUPRO MARTEGO
SECUPRO MERAK
SECUNORM 185

PRODUCT DETAILS

Blade size (L x W)	26 x 18.5 mm
Material thickness	0.50 mm
Weight Blade	1.1 g
Basic material	Ceramic
Refinement/ Version	stainless and acid resistant
Ground	deep-edged, 2-sided ground-edge
Blade facets	Double bevel edge-ground
Blade characteristics	4-cutting edge blade



PACKAGING DETAILS

Order No.	NO. 1792.25
Packaging unit (PU)	2 on self-service card
Size PU	84.5 x 5 x 160.0 mm
Weight PU	20.0 g
EAN Code PU	4002632801754
Customs tariff number	69149000



CERAMIC BLADE NO. 170

PRODUCT FEATURES

Technical features

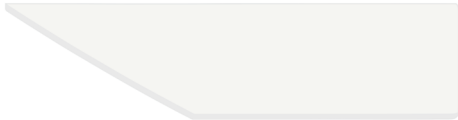


CERAMIC BLADE NO. 170 from MARTOR is a high-quality blade made of ceramic. It is 60 mm long, 15 mm wide and 1.70 mm thick.

CERAMIC BLADE NO. 170 is available under order number 170.54 in a magazine of 1.

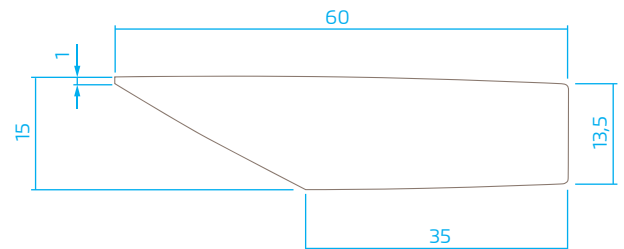
Mountable in

TRIMMEX CERACUT



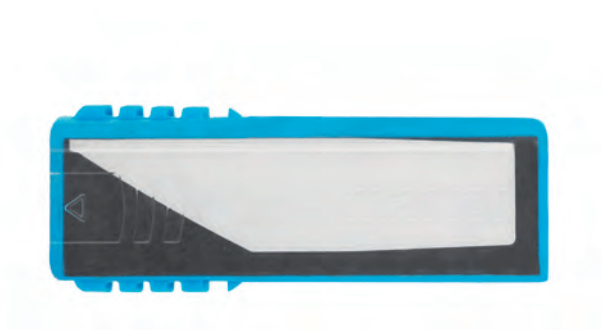
PRODUCT DETAILS

Blade size (L x W)	60 x 15 mm
Material thickness	1.70 mm
Weight Blade	7.4 g
Basic material	Ceramic
Refinement/ Version	stainless and acid resistant
Blade characteristics	1-cutting edge blade



PACKAGING DETAILS

Order No.	NO. 170.54
Packaging unit (PU)	1 in magazine
Size PU	66 x 25 x 18.5 mm
Weight PU	19.5 g
EAN Code PU	4002632804090
Quantity in outer pack	10 magazines
Size outer pack	188 x 69 x 27.5 mm
Weight outer pack	214 g
EAN Code outer pack	4002632854095
Customs tariff number	69149000



REINFORCED RAZOR BLADE NO. 44

REINFORCED RAZOR BLADE NO. 44 from MARTOR is a high-quality blade made of steel. It is very sharp and has one usable cutting edge. The blade is 39.5 mm long, 19.3 mm wide and 0.30 mm thick.

REINFORCED RAZOR BLADE NO. 44 is available under order number 44.50 in a magazine of 10.



TOPSELLER

PRODUCT FEATURES

Technical features

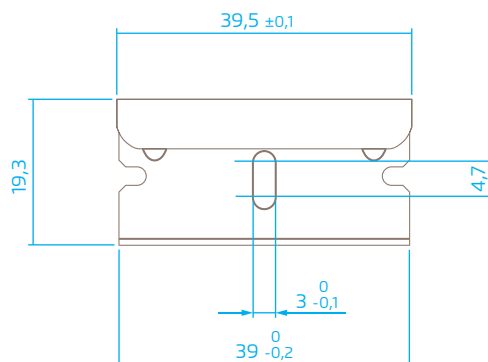


Mountable in

SCRAPEX ARGENTAX
SCRAPEX CLEANY

PRODUCT DETAILS

Blade size (L x W)	39.5 x 19.3 mm
Material thickness	0.30 mm
Weight Blade	3.5 g
Basic material	Steel
Ground	2-sided ground-edge
Blade facets	Double bevel edge-ground
Blade characteristics	1-cutting edge blade



PACKAGING DETAILS

Order No.	NO. 44.50
Packaging unit (PU)	10 in magazine
Size PU	66 x 36 x 16.5 mm
Weight PU	52.8 g
EAN Code PU	4002632905988
Quantity in outer pack	10 magazines
Size outer pack	166 x 69 x 38.0 mm
Weight outer pack	540 g
EAN Code outer pack	4002632957307
Customs tariff number	82119400



INDUSTRIAL BLADE NO. 45

PRODUCT FEATURES

Technical features



INDUSTRIAL BLADE NO. 45 from MARTOR is a high-quality blade made of steel. It is very sharp and has four cutting edges that can be used one after the other for an extra long service life. The blade is 39.0 mm long, 18.5 mm wide and 0.30 mm thick.

INDUSTRIAL BLADE NO. 45 is available under order number 45.60 in a transparent pack of 10.

Mountable in

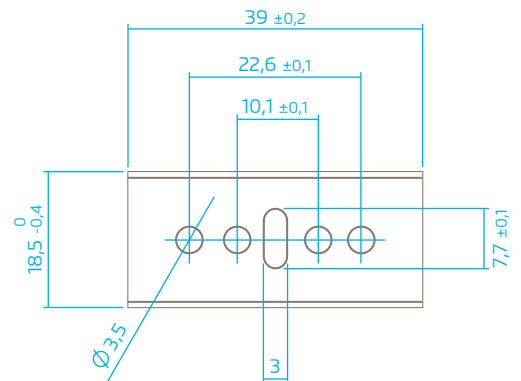
SECUMAX EASYSAFE
SECUNORM 175
SECUNORM HANDY



TOPSELLER

PRODUCT DETAILS

Blade size (L x W)	39 x 18.5 mm
Material thickness	0.30 mm
Weight Blade	1.4 g
Basic material	Steel
Ground	2-sided ground-edge
Blade facets	Single bevel edge-ground
Blade characteristics	4-cutting edge blade



PACKAGING DETAILS

Order No.	NO. 45.60
Packaging unit (PU)	10 in transparent pack
Size PU	45 x 22 x 9.0 mm
Weight PU	16.6 g
EAN Code PU	4002632906107
Quantity in outer pack	10 transparent packs
Size outer pack	88 x 23 x 57.0 mm
Weight outer pack	180 g
EAN Code outer pack	4002632957420
Customs tariff number	82119400



INDUSTRIAL BLADE NO. 92

INDUSTRIAL BLADE NO. 92 from MARTOR is a high-quality blade made of steel. It is very sharp and has four cutting edges that can be used one after the other for an extra long service life. The blade is 26 mm long, 18.5 mm wide and 0.40 mm thick.

INDUSTRIAL BLADE NO. 92 is available under order number 92.66 in a safety dispenser of 10.



TOPSELLER

PRODUCT FEATURES

Technical features

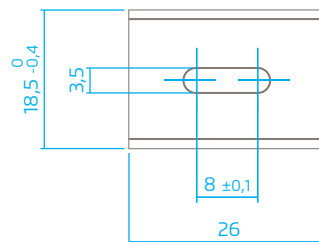


Mountable in

SECUPRO MARTEGO
SECUPRO MERAK
SECUNORM 185

PRODUCT DETAILS

Blade size (L x W)	26 x 18.5 mm
Material thickness	0.40 mm
Weight Blade	1.2 g
Basic material	Steel
Ground	2-sided ground-edge
Blade facets	Single bevel edge-ground
Blade characteristics	4-cutting edge blade



PACKAGING DETAILS

Order No.	NO. 92.66
Packaging unit (PU)	10 in safety dispenser
Size PU	45.1 x 24.7 x 10.5 mm
Weight PU	17.0 g
EAN Code PU	4002632920080
Quantity in outer pack	10 safety-dispensers
Size outer pack	110 x 27 x 47.0 mm
Weight outer pack	190 g
EAN Code outer pack	4002632971402
Customs tariff number	82119400



INDUSTRIAL BLADE NO. 92043

PRODUCT FEATURES

Technical features



INDUSTRIAL BLADE NO. 92043 from MARTOR is a high-quality blade made of steel. It is very sharp and has four cutting edges that can be used one after the other for an extra long service life. The wide ground edge makes cutting easier. The blade is 26 mm long, 18.5 mm wide and 0.40 mm thick.

INDUSTRIAL BLADE NO. 92043 is available under order number 92043.66 in a safety dispenser of 10.

Mountable in

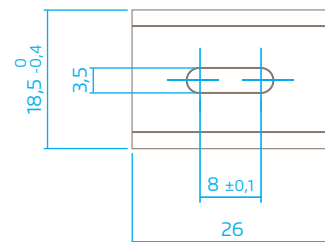
SECUMAX 320
SECUNORM 185



TOPSELLER

PRODUCT DETAILS

Blade size (L x W)	26 x 18.5 mm
Material thickness	0.40 mm
Weight Blade	1.3 g
Basic material	Steel
Ground	deep-edged, 2-sided ground-edge
Blade facets	Double bevel edge-ground
Blade characteristics	4-cutting edge blade



PACKAGING DETAILS

Order No.	NO. 92043.66
Packaging unit (PU)	10 in safety dispenser
Size PU	45.1 x 24.7 x 10.5 mm
Weight PU	17.0 g
EAN Code PU	4002632801525
Quantity in outer pack	10 safety-dispensers
Size outer pack	110 x 47 x 27.0 mm
Weight outer pack	190 g
EAN Code outer pack	4002632851520
Customs tariff number	82119400



REINFORCED RAZOR BLADE NO. 1044

PRODUCT FEATURES

Technical features



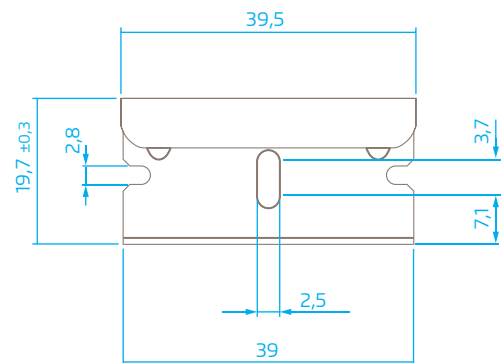
REINFORCED RAZOR BLADE NO. 1044 from MARTOR is a high-quality blade made of steel. It is very sharp and has one usable cutting edge. The blade is 39.5 mm long, 19.7 mm wide and 0.25 mm thick.

REINFORCED RAZOR BLADE NO. 1044 is available under order number 1044.29 in a box of 100.



PRODUCT DETAILS

Blade size (L x W)	39.5 x 19.7 mm
Material thickness	0.25 mm
Weight Blade	1.9 g
Basic material	Steel
Ground	2-sided ground-edge
Blade facets	Single bevel edge-ground
Blade characteristics	1-cutting edge blade



PACKAGING DETAILS

Order No.	NO. 1044.29
Packaging unit (PU)	100 in cardboard-box
Size PU	143 x 29 x 52.0 mm
Weight PU	207.0 g
EAN Code PU	4002632901157
Quantity in outer pack	10 boxes
Size outer pack	220 x 150 x 90.0 mm
Weight outer pack	210 g
EAN Code outer pack	4002632952470
Customs tariff number	82119400



INDUSTRIAL BLADE NO. 13510

PRODUCT FEATURES

Technical features



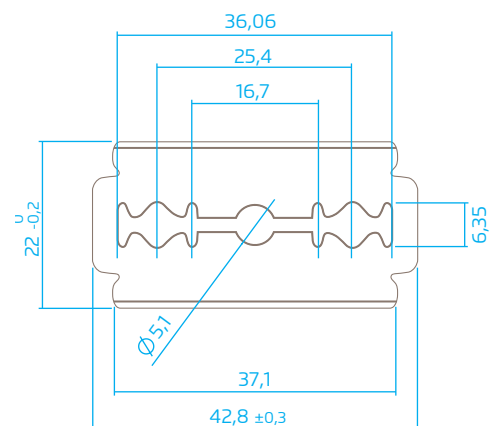
INDUSTRIAL BLADE NO. 13510 from MARTOR is a high-quality blade made of stainless steel. It is very sharp and has two cutting edges that can be used one after the other for an especially long service life. The blade is 43 mm long, 22 mm wide and 0.10 mm thick.

INDUSTRIAL BLADE NO. 13510 is available under order number 13510.39 as 250 paper-wrapped pieces.



PRODUCT DETAILS

Blade size (L x W)	43 x 22 mm
Material thickness	0.10 mm
Weight Blade	0.5 g
Basic material	Stainless steel
Refinement/ Version	stainless steel, Cutting edges platinum-coated, teflon-coated
Ground	2-sided ground-edge
Blade facets	Single bevel edge-ground
Blade characteristics	4-cutting edge blade



PACKAGING DETAILS

Order No.	NO. 13510.39
Packaging unit (PU)	250 blades (each paper-wrapped)
Size PU	255 x 56 x 32.0 mm
Weight PU	212.5 g
EAN Code PU	4002632803659
Customs tariff number	82119400



INDUSTRIAL BLADE NO. 13615

PRODUCT FEATURES

Technical features



INDUSTRIAL BLADE NO. 13615 from MARTOR is a high-quality blade made of stainless steel. It is very sharp and has four cutting edges that can be used one after the other for an extra long service life. The blade is 43.2 mm long, 22 mm wide and 0.15 mm thick. The oil used for the blade is food safe.

INDUSTRIAL BLADE NO. 13615 is available under order number 13615.35 as 500 paper-wrapped pieces.

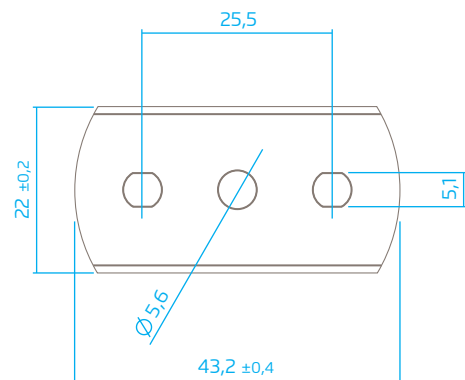
Mountable in

SECUMAX COUPPY
SECUMAX MOBILEX
SECUMAX SNITTY



PRODUCT DETAILS

Blade size (L x W)	43.2 x 22 mm
Material thickness	0.15 mm
Weight Blade	0.9 g
Basic material	Steel
Refinement/ Version	stainless steel
Ground	2-sided ground-edge
Blade facets	Double bevel edge-ground
Blade characteristics	4-cutting edge blade



PACKAGING DETAILS

Order No.	NO. 13615.35
Packaging unit (PU)	500 blades (each paper-wrapped)
Size PU	225 x 148 x 56.0 mm
Weight PU	597.5 g
EAN Code PU	4002632902055
Customs tariff number	82119400



INDUSTRIAL BLADE NO. 13730

PRODUCT FEATURES

Technical features



INDUSTRIAL BLADE NO. 13730 from MARTOR is a high-quality blade made of stainless steel. It is very sharp and has four cutting edges that can be used one after the other for an extra long service life. The blade is 43 mm long, 22 mm wide and 0.30 mm thick. The oil used for the blade is food safe.

INDUSTRIAL BLADE NO. 13730 is available under order number 13730.60 in a transparent pack of 10.

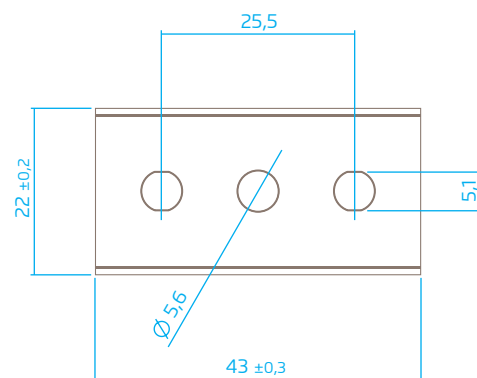
Mountable in

SECUMAX MOBILEX
SECUMAX OPTICUT
SECUMAX SALVEX SOS
SECUMAX SNITTY



PRODUCT DETAILS

Blade size (L x W)	43 x 22 mm
Material thickness	0.30 mm
Weight Blade	2.8 g
Basic material	Steel
Refinement/ Version	stainless steel
Blade facets	Double bevel edge-ground
Blade characteristics	4-cutting edge blade



PACKAGING DETAILS

Order No.	NO. 13730.60
Packaging unit (PU)	10 in transparent pack
Size PU	52.6 x 25.5 x 9.5 mm
Weight PU	22.5 g
EAN Code PU	4002632918254
Quantity in outer pack	10 transparent packs
Size outer pack	88 x 28 x 64.0 mm
Weight outer pack	240 g
EAN Code outer pack	4002632969577
Customs tariff number	82119400



REINFORCED RAZOR BLADE NO. 144

PRODUCT FEATURES

Technical features



REINFORCED RAZOR BLADE NO. 144 from MARTOR is a high-quality blade made of stainless steel. It is very sharp and has one usable cutting edge. The blade is 39.5 mm long, 19.3 mm wide and 0.25 mm thick. The oil used for the blade is food safe.

REINFORCED RAZOR BLADE NO. 144 is available under order number 144.50 in a magazine of 10.

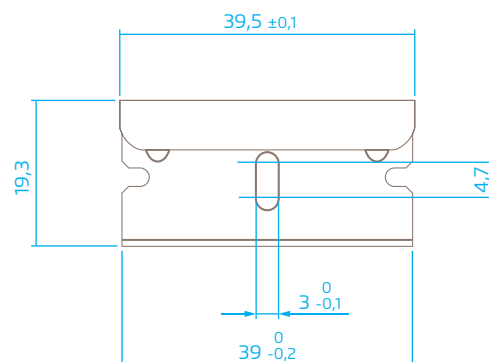
Mountable in

SCRAPEX ARGENTAX
SCRAPEX CLEANY



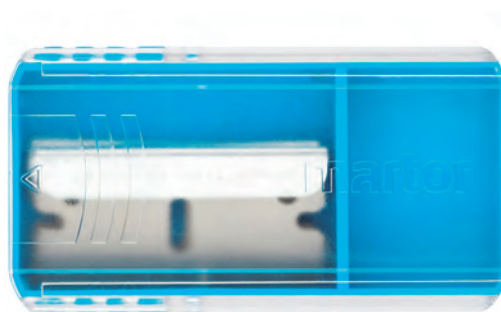
PRODUCT DETAILS

Blade size (L x W)	39.5 x 19.3 mm
Material thickness	0.25 mm
Weight Blade	3.4 g
Basic material	Steel
Refinement/ Version	stainless steel
Ground	2-sided ground-edge
Blade facets	Single bevel edge-ground
Blade characteristics	1-cutting edge blade



PACKAGING DETAILS

Order No.	NO. 144.50
Packaging unit (PU)	10 in magazine
Size PU	66 x 36 x 16.5 mm
Weight PU	52.8 g
EAN Code PU	4002632902147
Quantity in outer pack	10 magazines
Size outer pack	166 x 69 x 38.0 mm
Weight outer pack	540 g
EAN Code outer pack	4002632953460
Customs tariff number	82119400



INDUSTRIAL BLADE NO. 145

PRODUCT FEATURES

Technical features



INDUSTRIAL BLADE NO. 145 from MARTOR is a high-quality blade made of stainless steel. It is very sharp and has four cutting edges that can be used one after the other for an extra long service life. The blade is 39.0 mm long, 18.4 mm wide and 0.30 mm thick. The oil used for the blade is food safe.

INDUSTRIAL BLADE NO. 145 is available under order number 145.60 in a transparent pack of 10.

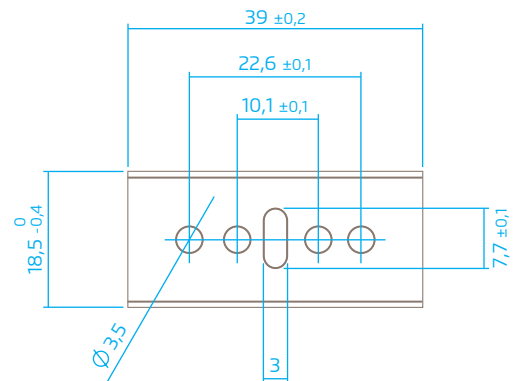


Mountable in

SECUMAX EASYSAFE
SECUNORM 175
SECUNORM HANDY
SECUNORM HANDY MDP

PRODUCT DETAILS

Blade size (L x W)	39 x 18.5 mm
Material thickness	0.30 mm
Weight Blade	1.4 g
Basic material	Steel
Refinement/ Version	stainless steel
Ground	2-sided ground-edge
Blade facets	Single bevel edge-ground
Blade characteristics	4-cutting edge blade



PACKAGING DETAILS

Order No.	NO. 145.60
Packaging unit (PU)	10 in transparent pack
Size PU	45 x 22 x 9.0 mm
Weight PU	16.3 g
EAN Code PU	4002632916403
Quantity in outer pack	10 transparent packs
Size outer pack	88 x 23 x 57.0 mm
Weight outer pack	170 g
EAN Code outer pack	4002632967726
Customs tariff number	82119400



GLASS CLEANING BLADE NO. 16412

PRODUCT FEATURES

Technical features



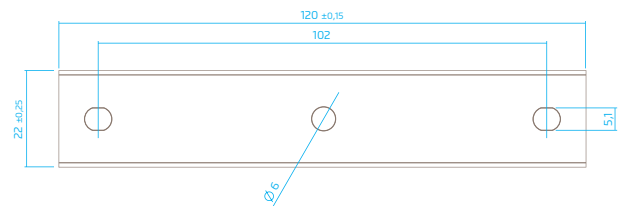
GLASS CLEANING BLADE NO. 16412 from MARTOR is a high-quality blade made of stainless steel. It is very sharp and has two cutting edges that can be used one after the other for a long service life. The blade is 120 mm long, 22 mm wide and 0.15 mm thick. The oil used for the blade is food safe.

GLASS CLEANING BLADE NO. 16412 is available under order number 16412.78 as 10 in a polybag.



PRODUCT DETAILS

Blade size (L x W)	120 x 22 mm
Material thickness	0.15 mm
Weight Blade	2.8 g
Basic material	Steel
Refinement/ Version	stainless steel
Ground	2-sided ground-edge
Blade facets	Single bevel edge-ground
Blade characteristics	2-cutting edge blade



PACKAGING DETAILS

Order No.	NO. 16412.78
Packaging unit (PU)	10 in polybag
Size PU	139 x 43 x 11 mm
Weight PU	30.0 g
EAN Code PU	4002632902383
Quantity in outer pack	20 polybags
Size outer pack	128 x 29 x 67.0 mm
Weight outer pack	600 g
EAN Code outer pack	4002632953705
Customs tariff number	82055980



INDUSTRIAL BLADE NO. 192

PRODUCT FEATURES

Technical features



INDUSTRIAL BLADE NO. 192 from MARTOR is a high-quality blade made of stainless steel. It is very sharp and has four cutting edges that can be used one after the other for an extra long service life. The blade is 26 mm long, 18.5 mm wide and 0.40 mm thick. The oil used for the blade is food safe.

INDUSTRIAL BLADE NO. 192 is available under order number 192.66 in a safety dispenser of 10.

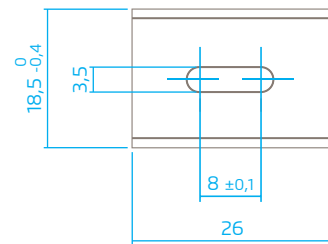
Mountable in

SECUPRO MARTEGO
SECUPRO MERAK
SECUNORM 185



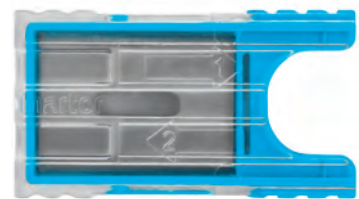
PRODUCT DETAILS

Blade size (L x W)	26 x 18.5 mm
Material thickness	0.40 mm
Weight Blade	1.3 g
Basic material	Steel
Refinement/ Version	stainless steel
Ground	2-sided ground-edge
Blade facets	Single bevel edge-ground
Blade characteristics	4-cutting edge blade



PACKAGING DETAILS

Order No.	NO. 192.66
Packaging unit (PU)	10 in safety dispenser
Size PU	45.1 x 24.7 x 10.5 mm
Weight PU	17.0 g
EAN Code PU	4002632920141
Quantity in outer pack	10 safety-dispensers
Size outer pack	110 x 27 x 47.0 mm
Weight outer pack	190 g
EAN Code outer pack	4002632971464
Customs tariff number	82119400



INDUSTRIAL BLADE NO. 192043

PRODUCT FEATURES

Technical features



INDUSTRIAL BLADE NO. 192043 from MARTOR is a high-quality blade made of stainless steel. It is very sharp and has four cutting edges that can be used one after the other for an extra long service life. The wide ground edge makes cutting easier. The blade is 26 mm long, 18.5 mm wide and 0.40 mm thick. The oil used for the blade is food safe.

INDUSTRIAL BLADE NO. 192043 is available under order number 192043.66 in a safety dispenser of 10.

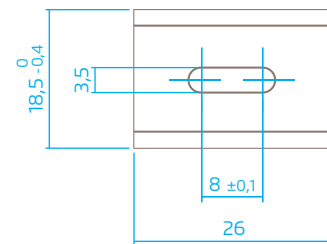
Mountable in

SECUMAX 320 MDP
SECUMAX 320
SECUNORM 185



PRODUCT DETAILS

Blade size (L x W)	26 x 18.5 mm
Material thickness	0.40 mm
Weight Blade	1.3 g
Basic material	Steel
Refinement/ Version	stainless steel
Ground	deep-edged, 2-sided ground-edge
Blade facets	Double bevel edge-ground
Blade characteristics	4-cutting edge blade



PACKAGING DETAILS

Order No.	NO. 192043.66
Packaging unit (PU)	10 in safety dispenser
Size PU	45.1 x 24.7 x 10.5 mm
Weight PU	17.0 g
EAN Code PU	4002632801532
Quantity in outer pack	10 safety-dispensers
Size outer pack	110 x 47 x 27.0 mm
Weight outer pack	190 g
EAN Code outer pack	4002632851537
Customs tariff number	82119400



SCRAPER BLADE NO. 196

PRODUCT FEATURES

Technical features



SCRAPER BLADE NO. 196 from MARTOR is a high-quality blade made of stainless steel. It is very sharp and has one usable cutting edge. The blade is 99.5 mm long, 14 mm wide and 0.40 mm thick. The oil used for the blade is food safe.

SCRAPER BLADE NO. 196 is available under order number 196.60 in a transparent pack of 10.

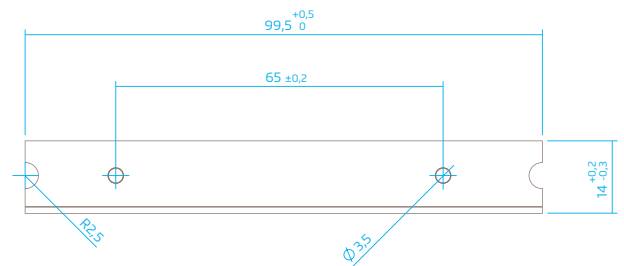
Mountable in

SCRAPEX 596
SCRAPEX 5196



PRODUCT DETAILS

Blade size (L x W)	99.5 x 14 mm
Material thickness	0.40 mm
Weight Blade	4.0 g
Basic material	Steel
Refinement/ Version	stainless steel
Ground	2-sided ground-edge
Blade facets	Double bevel edge-ground
Blade characteristics	1-cutting edge blade



PACKAGING DETAILS

Order No.	NO. 196.60
Packaging unit (PU)	10 in transparent pack
Size PU	114 x 22.2 x 8.5 mm
Weight PU	45.0 g
EAN Code PU	4002632902741
Quantity in outer pack	10 transparent packs
Size outer pack	120 x 100 x 25.0 mm
EAN Code outer pack	4002632954061
Customs tariff number	82055980



INDUSTRIAL BLADE NO. 35010

PRODUCT FEATURES

Technical features



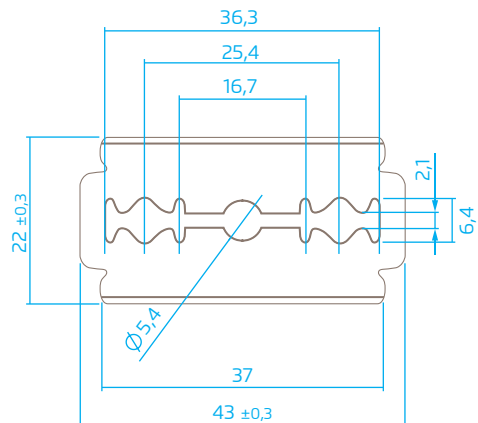
INDUSTRIAL BLADE NO. 35010 from MARTOR is a high-quality blade made of steel. It is very sharp and has two cutting edges that can be used one after the other for an especially long service life. The blade is 43 mm long, 22 mm wide and 0.10 mm thick.

INDUSTRIAL BLADE NO. 35010 is available under order number 35010.50 in a magazine of 10.



PRODUCT DETAILS

Blade size (L x W)	43 x 22 mm
Material thickness	0.10 mm
Weight Blade	0.6 g
Basic material	Steel
Ground	2-sided ground-edge
Blade facets	Single bevel edge-ground
Blade characteristics	4-cutting edge blade



PACKAGING DETAILS

Order No.	NO. 35010.50
Packaging unit (PU)	10 in magazine
Size PU	66 x 36 x 16.5 mm
Weight PU	23.3 g
EAN Code PU	4002632921537
Quantity in outer pack	10 magazines
Size outer pack	166 x 69 x 38.0 mm
Weight outer pack	260 g
EAN Code outer pack	4002632972850
Customs tariff number	82119400



Further packaging units on request.

INDUSTRIAL BLADE NO. 35020

PRODUCT FEATURES

Technical features



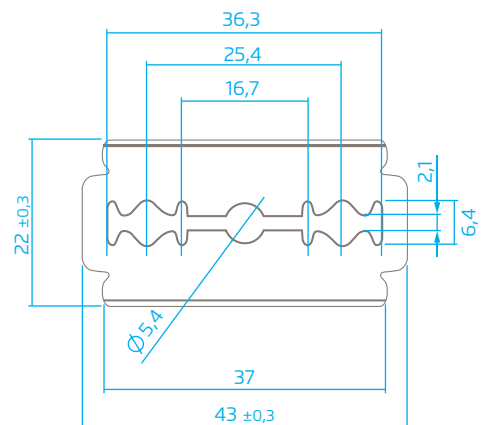
INDUSTRIAL BLADE NO. 35020 from MARTOR is a high-quality blade made of steel. It is very sharp and has two cutting edges that can be used one after the other for a long service life. The blade is 43 mm long, 22 mm wide and 0.20 mm thick.

INDUSTRIAL BLADE NO. 35020 is available under order number 35020.50 in a magazine of 10.



PRODUCT DETAILS

Blade size (L x W)	43 x 22 mm
Material thickness	0.20 mm
Weight Blade	1.1 g
Basic material	Steel
Ground	2-sided ground-edge
Blade facets	Single bevel edge-ground
Blade characteristics	2-cutting edge blade



PACKAGING DETAILS

Order No.	NO. 35020.50
Packaging unit (PU)	10 in magazine
Size PU	66 x 36 x 16.5 mm
Weight PU	28.4 g
EAN Code PU	4002632921544
Quantity in outer pack	10 magazines
Size outer pack	166 x 69 x 38.0 mm
Weight outer pack	300 g
EAN Code outer pack	4002632972867
Customs tariff number	82119400



Further packaging units on request.

INDUSTRIAL BLADE NO. 35030

PRODUCT FEATURES

Technical features



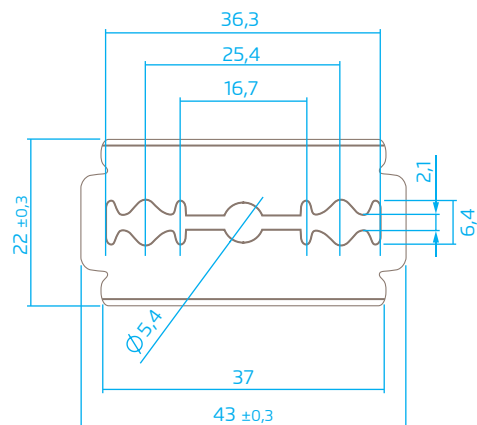
INDUSTRIAL BLADE NO. 35030 from MARTOR is a high-quality blade made of steel. It is very sharp and has two cutting edges that can be used one after the other for a long service life. The blade is 43 mm long, 22 mm wide and 0.30 mm thick.

INDUSTRIAL BLADE NO. 35030 is available under order number 35030.50 in a magazine of 10.



PRODUCT DETAILS

Blade size (L x W)	43 x 22 mm
Material thickness	0.30 mm
Weight Blade	1.7 g
Basic material	Steel
Ground	2-sided ground-edge
Blade facets	Single bevel edge-ground
Blade characteristics	2-cutting edge blade



PACKAGING DETAILS

Order No.	NO. 35030.50
Packaging unit (PU)	10 in magazine
Size PU	66 x 36 x 16.5 mm
Weight PU	36.0 g
EAN Code PU	4002632921551
Quantity in outer pack	10 magazines
Size outer pack	166 x 69 x 38.0 mm
Weight outer pack	360 g
EAN Code outer pack	4002632972874
Customs tariff number	82119400



INDUSTRIAL BLADE NO. 36010

PRODUCT FEATURES

Technical features



Mountable in

SECUMAX COUPPY

SECUMAX SNITTY

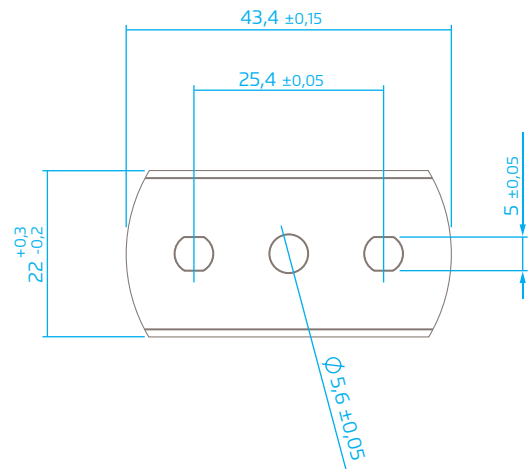
INDUSTRIAL BLADE NO. 36010 from MARTOR is a high-quality blade made of steel. It is very sharp and has four cutting edges that can be used one after the other for an extra long service life. The blade is 43.4 mm long, 22 mm wide and 0.10 mm thick.

INDUSTRIAL BLADE NO. 36010 is available under order number 36010.50 in a magazine of 10.



PRODUCT DETAILS

Blade size (L x W)	43.4 x 22 mm
Material thickness	0.10 mm
Weight Blade	0.6 g
Basic material	Steel
Ground	2-sided ground-edge
Blade facets	Single bevel edge-ground
Blade characteristics	4-cutting edge blade



PACKAGING DETAILS

Order No.	NO. 36010.50
Packaging unit (PU)	10 in magazine
Size PU	66 x 36 x 16.5 mm
Weight PU	23.5 g
EAN Code PU	4002632921568
Quantity in outer pack	10 magazines
Size outer pack	166 x 69 x 38.0 mm
Weight outer pack	260 g
EAN Code outer pack	4002632972881
Customs tariff number	82119400

Further packaging units on request.



INDUSTRIAL BLADE NO. 36013

PRODUCT FEATURES

Technical features



INDUSTRIAL BLADE NO. 36013 from MARTOR is a high-quality blade made of steel. It is very sharp and has four cutting edges that can be used one after the other for an extra long service life. The blade is 43.4 mm long, 22 mm wide and 0.13 mm thick.

INDUSTRIAL BLADE NO. 36013 is available under order number 36013.39 as 250 pieces.

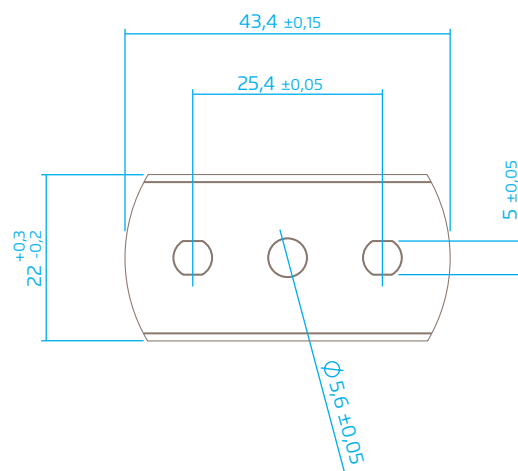
Mountable in

SECUMAX COUPPY
SECUMAX SNITTY



PRODUCT DETAILS

Blade size (L x W)	43.4 x 22 mm
Material thickness	0.13 mm
Weight Blade	0.8 g
Basic material	Steel
Ground	2-sided ground-edge
Blade facets	Single bevel edge-ground
Blade characteristics	4-cutting edge blade



PACKAGING DETAILS

Order No.	NO. 36013.39
Packaging unit (PU)	250 blades (each paper-wrapped)
Size PU	255 x 56 x 32.0 mm
Weight PU	304.5 g
EAN Code PU	4002632921070
Customs tariff number	82119400



INDUSTRIAL BLADE NO. 36015

PRODUCT FEATURES

Technical features



INDUSTRIAL BLADE NO. 36015 from MARTOR is a high-quality blade made of steel. It is very sharp and has four cutting edges that can be used one after the other for an extra long service life. The blade is 43.4 mm long, 22 mm wide and 0.15 mm thick.

INDUSTRIAL BLADE NO. 36015 is available under order number 36015.39 as 250 pieces.

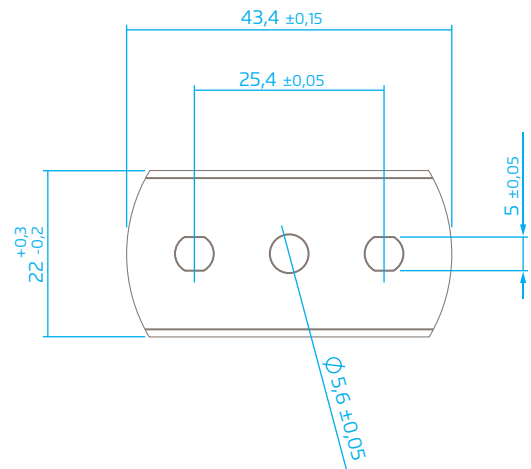
Mountable in

SECUMAX COUPPY
SECUMAX MOBILEX
SECUMAX SNITTY



PRODUCT DETAILS

Blade size (L x W)	43.4 x 22 mm
Material thickness	0.15 mm
Weight Blade	0.9 g
Basic material	Steel
Ground	2-sided ground-edge
Blade facets	Single bevel edge-ground
Blade characteristics	4-cutting edge blade



PACKAGING DETAILS

Order No.	NO. 36015.39
Packaging unit (PU)	250 blades (each paper-wrapped)
Size PU	255 x 56 x 32.0 mm
Weight PU	340.0 g
EAN Code PU	4002632921810
Weight outer pack	340 g
Customs tariff number	82119400



INDUSTRIAL BLADE NO. 36020

PRODUCT FEATURES

Technical features



INDUSTRIAL BLADE NO. 36020 from MARTOR is a high-quality blade made of steel. It is very sharp and has four cutting edges that can be used one after the other for an extra long service life. The blade is 43.4 mm long, 22 mm wide and 0.20 mm thick.

INDUSTRIAL BLADE NO. 36020 is available under order number 36020.50 in a magazine of 10.

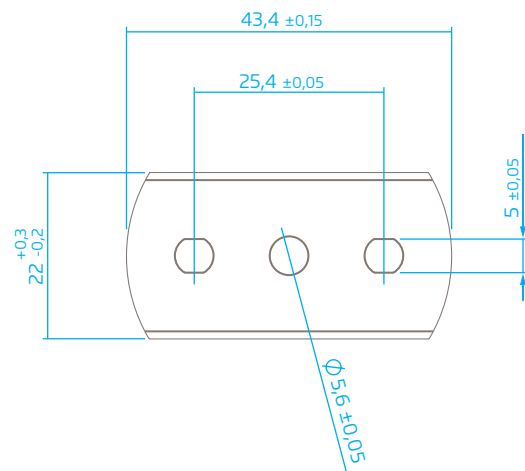
Mountable in

SECUMAX COUPPY
SECUMAX MOBILEX
SECUMAX SNITTY



PRODUCT DETAILS

Blade size (L x W)	43.4 x 22 mm
Material thickness	0.20 mm
Weight Blade	1.3 g
Basic material	Steel
Ground	2-sided ground-edge
Blade facets	Single bevel edge-ground
Blade characteristics	4-cutting edge blade



PACKAGING DETAILS

Order No.	NO. 36020.50
Packaging unit (PU)	10 in magazine
Size PU	66 x 36 x 16.5 mm
Weight PU	30.8 g
EAN Code PU	4002632921599
Quantity in outer pack	10 magazines
Size outer pack	166 x 69 x 38.0 mm
Weight outer pack	330 g
EAN Code outer pack	4002632972911
Customs tariff number	82119400



Further packaging units on request.

INDUSTRIAL BLADE NO. 36030

PRODUCT FEATURES

Technical features



INDUSTRIAL BLADE NO. 36030 from MARTOR is a high-quality blade made of steel. It is very sharp and has four cutting edges that can be used one after the other for an extra long service life. The blade is 43.2 mm long, 22 mm wide and 0.30 mm thick.

INDUSTRIAL BLADE NO. 36030 is available under order number 36030.50 in a magazine of 10.

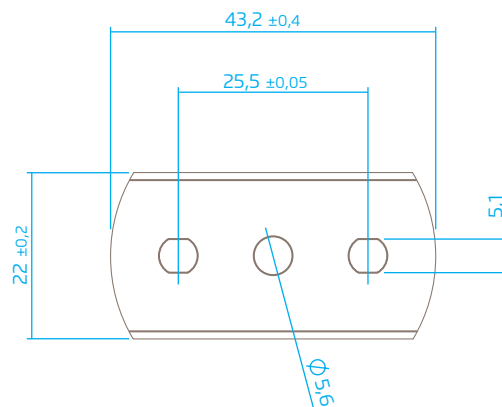
Mountable in

SECUMAX MOBILEX
SECUMAX SNITTY
SECUMAX SALVEX SOS



PRODUCT DETAILS

Blade size (L x W)	43.2 x 22 mm
Material thickness	0.30 mm
Weight Blade	1.9 g
Basic material	Steel
Ground	2-sided ground-edge
Blade facets	Single bevel edge-ground
Blade characteristics	4-cutting edge blade



PACKAGING DETAILS

Order No.	NO. 36030.50
Packaging unit (PU)	10 in magazine
Size PU	66 x 36 x 16.5 mm
Weight PU	36.6 g
EAN Code PU	4002632921605
Quantity in outer pack	10 magazines
Size outer pack	166 x 69 x 38.0 mm
Weight outer pack	380 g
EAN Code outer pack	4002632972928
Customs tariff number	82119400

Further packaging units on request.



INDUSTRIAL BLADE NO. 37010

PRODUCT FEATURES

Technical features



INDUSTRIAL BLADE NO. 37010 from MARTOR is a high-quality blade made of steel. It is very sharp and has four cutting edges that can be used one after the other for an extra long service life. The blade is 43 mm long, 22 mm wide and 0.10 mm thick.

INDUSTRIAL BLADE NO. 37010 is available under order number 37010.50 in a magazine of 10.

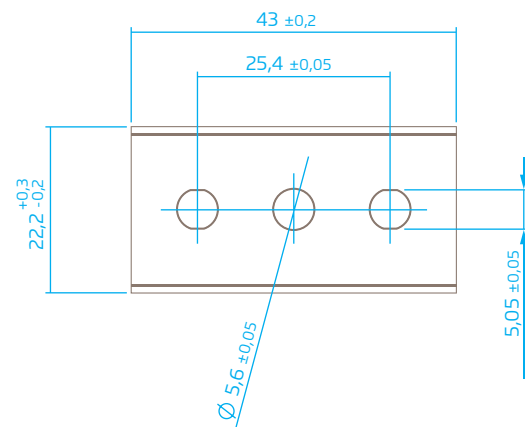
Mountable in

SECUMAX SNITTY



PRODUCT DETAILS

Blade size (L x W)	43 x 22 mm
Material thickness	0.10 mm
Weight Blade	0.7 g
Basic material	Steel
Ground	2-sided ground-edge
Blade facets	Single bevel edge-ground
Blade characteristics	4-cutting edge blade



PACKAGING DETAILS

Order No.	NO. 37010.50
Packaging unit (PU)	10 in magazine
Size PU	66 x 36 x 16.5 mm
Weight PU	24.2 g
EAN Code PU	4002632921629
Quantity in outer pack	10 magazines
Size outer pack	166 x 69 x 38.0 mm
Weight outer pack	270 g
EAN Code outer pack	4002632972942
Customs tariff number	82119400



Further packaging units on request.

INDUSTRIAL BLADE NO. 37020

PRODUCT FEATURES

Technical features



INDUSTRIAL BLADE NO. 37020 from MARTOR is a high-quality blade made of steel. It is very sharp and has four cutting edges that can be used one after the other for an extra long service life. The blade is 43 mm long, 22 mm wide and 0.20 mm thick.

INDUSTRIAL BLADE NO. 37020 is available under order number 37020.50 in a magazine of 10.

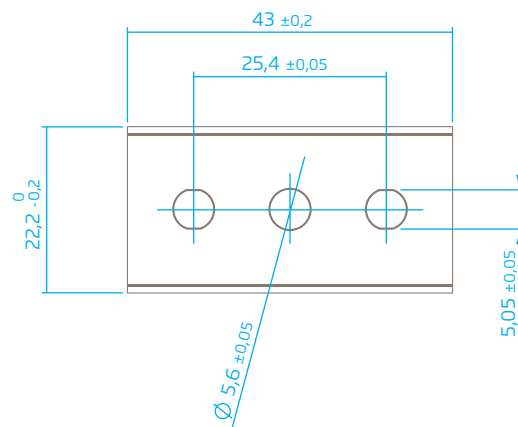
Mountable in

SECUMAX MOBILEX
SECUMAX SNITTY



PRODUCT DETAILS

Blade size (L x W)	43 x 22.2 mm
Material thickness	0.20 mm
Weight Blade	1.3 g
Basic material	Steel
Ground	2-sided ground-edge
Blade facets	Single bevel edge-ground
Blade characteristics	4-cutting edge blade



PACKAGING DETAILS

Order No.	NO. 37020.50
Packaging unit (PU)	10 in magazine
Size PU	66 x 36 x 16.5 mm
Weight PU	31.0 g
EAN Code PU	4002632921636
Quantity in outer pack	10 magazines
Size outer pack	166 x 69 x 38.0 mm
Weight outer pack	320 g
EAN Code outer pack	4002632972959
Customs tariff number	82119400

Further packaging units on request.



INDUSTRIAL BLADE NO. 37030

PRODUCT FEATURES

Technical features



INDUSTRIAL BLADE NO. 37030 from MARTOR is a high-quality blade made of steel. It is very sharp and has four cutting edges that can be used one after the other for an extra long service life. The blade is 43 mm long, 22 mm wide and 0.30 mm thick.

INDUSTRIAL BLADE NO. 37030 is available under order number 37030.50 in a magazine of 10.

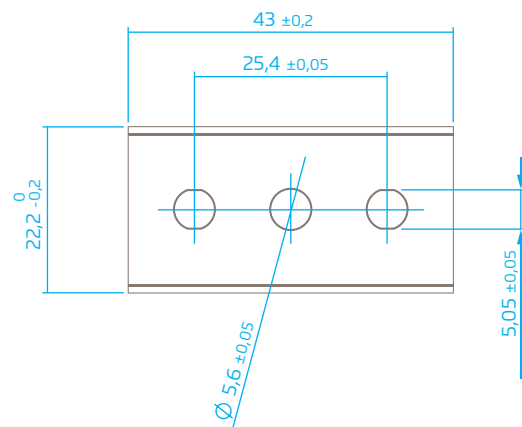
Mountable in

SECUMAX MOBILEX
SECUMAX SALVEX SOS
SECUMAX SNITTY



PRODUCT DETAILS

Blade size (L x W)	43 x 22 mm
Material thickness	0.30 mm
Weight Blade	2.0 g
Basic material	Steel
Ground	2-sided ground-edge
Blade facets	Single bevel edge-ground
Blade characteristics	4-cutting edge blade



PACKAGING DETAILS

Order No.	NO. 37030.50
Packaging unit (PU)	10 in magazine
Size PU	66 x 36 x 16.5 mm
Weight PU	37.0 g
EAN Code PU	4002632921643
Quantity in outer pack	10 magazines
Size outer pack	166 x 69 x 38.0 mm
Weight outer pack	400 g
EAN Code outer pack	4002632972966
Customs tariff number	82119400



Further packaging units on request.

INDUSTRIAL BLADE NO. 37040

PRODUCT FEATURES

Technical features



INDUSTRIAL BLADE NO. 37040 from MARTOR is a high-quality blade made of steel. It is very sharp and has four cutting edges that can be used one after the other for an extra long service life. The blade is 43 mm long, 22 mm wide and 0.40 mm thick.

INDUSTRIAL BLADE NO. 37040 is available under order number 37040.60 in a transparent pack of 10.

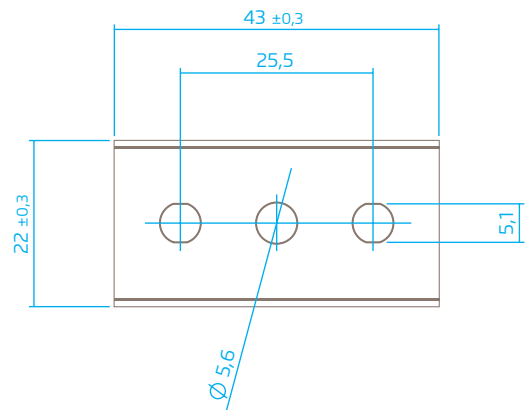
Mountable in

SECUMAX MOBILEX
SECUMAX OPTICUT
SECUMAX SALVEX SOS



PRODUCT DETAILS

Blade size (L x W)	43 x 22 mm
Material thickness	0.40 mm
Weight Blade	2.5 g
Basic material	Steel
Ground	2-sided ground-edge
Blade facets	Double bevel edge-ground
Blade characteristics	4-cutting edge blade



PACKAGING DETAILS

Order No.	NO. 37040.60
Packaging unit (PU)	10 in transparent pack
Size PU	52.6 x 25.5 x 9.5 mm
Weight PU	28.0 g
EAN Code PU	4002632914904
Quantity in outer pack	10 transparent packs
Size outer pack	88 x 28 x 64.0 mm
Weight outer pack	290 g
EAN Code outer pack	4002632966224
Customs tariff number	82119400



Further packaging units on request.

INDUSTRIAL BLADE NO. 37044

INDUSTRIAL BLADE NO. 37044 from MARTOR is a high-quality blade made of steel. It is very sharp and has four cutting edges that can be used one after the other for an extra long service life. The wide ground edge makes cutting easier. The blade is 43 mm long, 22 mm wide and 0.40 mm thick.

INDUSTRIAL BLADE NO. 37044 is available under order number 37044.60 in a transparent pack of 10.



PRODUCT FEATURES

Technical features

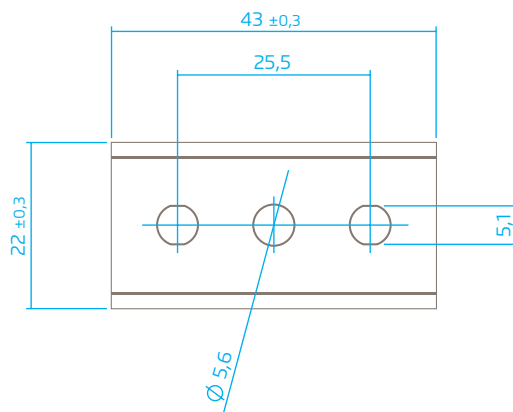


Mountable in

SECUMAX OPTICUT
SECUMAX SALVEX SOS

PRODUCT DETAILS

Blade size (L x W)	43 x 22 mm
Material thickness	0.40 mm
Weight Blade	2.5 g
Basic material	Steel
Ground	deep-edged, 2-sided ground-edge
Blade facets	Double bevel edge-ground
Blade characteristics	4-cutting edge blade



PACKAGING DETAILS

Order No.	NO. 37044.60
Packaging unit (PU)	10 in transparent pack
Size PU	52.6 x 25.5 x 9.5 mm
Weight PU	28.0 g
EAN Code PU	4002632803017
Quantity in outer pack	10 transparent packs
Size outer pack	88 x 28 x 64.0 mm
Weight outer pack	297.9 g
EAN Code outer pack	4002632853012
Customs tariff number	82119400



REINFORCED RAZOR BLADE NO. 60044

PRODUCT FEATURES

Technical features



REINFORCED RAZOR BLADE NO. 60044 from MARTOR is a high-quality blade made of steel. It is very sharp and has one usable cutting edge. Rounded tips increase user safety. The blade is 39.5 mm long, 19.3 mm wide and 0.30 mm thick.

REINFORCED RAZOR BLADE NO. 60044 is available under order number 60044.50 in a magazine of 10.

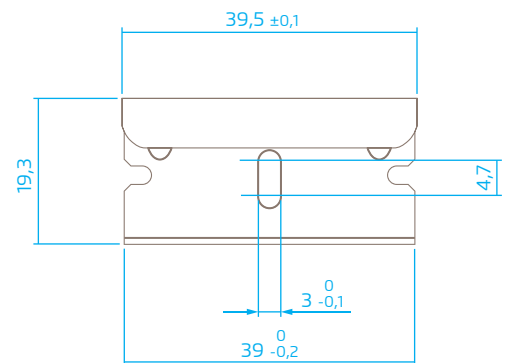
Mountable in

SCRAPEX ARGENTAX
SCRAPEX CLEANY



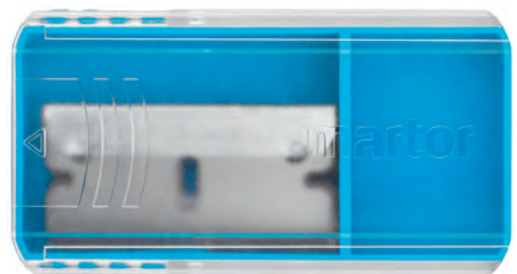
PRODUCT DETAILS

Blade size (L x W)	39.5 x 19.3 mm
Material thickness	0.30 mm
Weight Blade	3.5 g
Basic material	Steel
Ground	2-sided ground-edge
Blade facets	Double bevel edge-ground
Safety feature	rounded blade tips
Blade characteristics	1-cutting edge blade



PACKAGING DETAILS

Order No.	NO. 60044.50
Packaging unit (PU)	10 in magazine
Size PU	66 x 36 x 16.5 mm
Weight PU	52.8 g
EAN Code PU	4002632908088
Quantity in outer pack	10 magazines
Size outer pack	166 x 69 x 38.0 mm
Weight outer pack	540 g
EAN Code outer pack	4002632959400
Customs tariff number	82119400



INDUSTRIAL BLADE NO. 60092

INDUSTRIAL BLADE NO. 60092 from MARTOR is a high-quality blade made of steel. It is very sharp and has four cutting edges that can be used one after the other for an extra long service life. Rounded tips increase user safety. The blade is 26 mm long, 18.5 mm wide and 0.40 mm thick.

INDUSTRIAL BLADE NO. 60092 is available under order number 60092.66 in a safety dispenser of 10.



PRODUCT FEATURES

Technical features

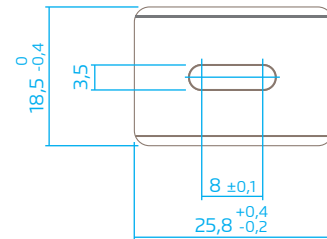


Mountable in

SECUPRO MARTEGO
SECUPRO MERAK
SECUNORM 185

PRODUCT DETAILS

Blade size (L x W)	26 x 18.5 mm
Material thickness	0.40 mm
Weight Blade	1.2 g
Basic material	Steel
Ground	2-sided ground-edge
Blade facets	Single bevel edge-ground
Safety feature	rounded blade tips
Blade characteristics	4-cutting edge blade



PACKAGING DETAILS

Order No.	NO. 60092.66
Packaging unit (PU)	10 in safety dispenser
Size PU	45.1 x 24.7 x 10.5 mm
Weight PU	17.0 g
EAN Code PU	4002632800696
Quantity in outer pack	10 safety-dispensers
Size outer pack	110 x 27 x 47.0 mm
Weight outer pack	190 g
EAN Code outer pack	4002632850691
Customs tariff number	82119400



INDUSTRIAL BLADE NO. 65

PRODUCT FEATURES

Technical features



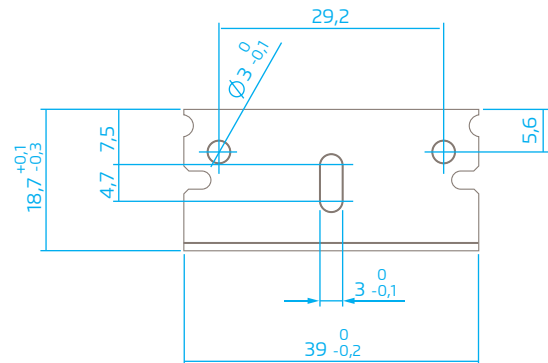
INDUSTRIAL BLADE NO. 65 from MARTOR is a high-quality blade made of steel. It is very sharp and has one usable cutting edge. The blade is 39 mm long, 18.7 mm wide and 0.30 mm thick.

INDUSTRIAL BLADE NO. 65 is available under order number 65.83 as 200 pieces.



PRODUCT DETAILS

Blade size (L x W)	39 x 18.7 mm
Material thickness	0.30 mm
Weight Blade	1.5 g
Basic material	Steel
Ground	2-sided ground-edge
Blade facets	Double bevel edge-ground
Blade characteristics	1-cutting edge blade



PACKAGING DETAILS

Order No.	NO. 65.83
Packaging unit (PU)	200 blades (loose)
Size PU	106 x 70 x 46.0 mm
Weight PU	300.0 g
EAN Code PU	4002632909153
Quantity in outer pack	1000 blades
Size outer pack	106 x 70 x 46.0 mm
Weight outer pack	300 g
EAN Code outer pack	4002632960475
Customs tariff number	82119400



INDUSTRIAL BLADE NO. 69040

PRODUCT FEATURES

Technical features



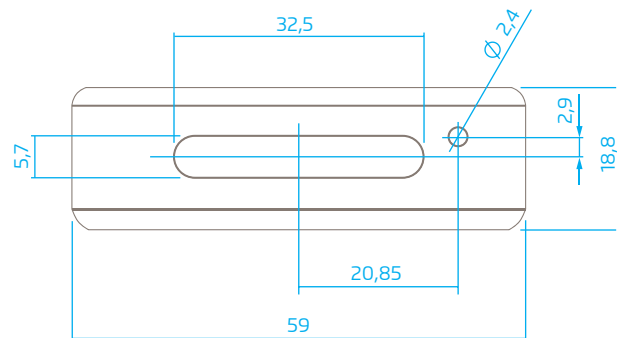
INDUSTRIAL BLADE NO. 69040 from MARTOR is a high-quality blade made of steel. It is very sharp and has two cutting edges that can be used one after the other for a long service life. The deep edge makes cutting easier and the rounded tips increase user safety. The blade is 59 mm long, 18.8 mm wide and 0.40 mm thick.

INDUSTRIAL BLADE NO. 69040 is available under order number 69040.50 in a magazine of 10.



PRODUCT DETAILS

Blade size (L x W)	59 x 18.8 mm
Material thickness	0.40 mm
Weight Blade	2.4 g
Basic material	Steel
Ground	deep-edged, 2-sided ground-edge
Blade facets	Double bevel edge-ground
Safety feature	rounded blade tips
Blade characteristics	2-cutting edge blade



PACKAGING DETAILS

Order No.	NO. 69040.50
Packaging unit (PU)	10 in magazine
Size PU	66 x 36 x 16.5 mm
Weight PU	40.3 g
EAN Code PU	4002632921742
Quantity in outer pack	10 magazines
Size outer pack	166 x 69 x 38.0 mm
Weight outer pack	440 g
EAN Code outer pack	4002632973062
Customs tariff number	82119400



FIBERGLASS BLADE NO. 712

PRODUCT FEATURES

Technical features



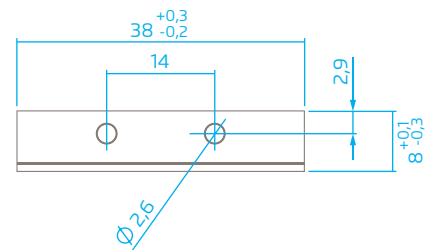
FIBERGLASS BLADE NO. 712 from MARTOR is a high-quality blade made of steel. It is very sharp and has one usable cutting edge. The blade is 38 mm long, 8 mm wide and 0.30 mm thick.

FIBERGLASS BLADE NO. 712 is available under order number 712.59 in a magazine of 80.



PRODUCT DETAILS

Blade size (L x W)	38 x 8 mm
Material thickness	0.30 mm
Weight Blade	0.6 g
Basic material	Steel
Ground	2-sided ground-edge
Blade facets	Double bevel edge-ground
Blade characteristics	1-cutting edge blade



PACKAGING DETAILS

Order No.	NO. 712.59
Packaging unit (PU)	80 in magazine
Size PU	66 x 36 x 16.5 mm
Weight PU	310.0 g
EAN Code PU	4002632910029
Quantity in outer pack	5 magazines
Size outer pack	166 x 69 x 38.0 mm
Weight outer pack	720 g
EAN Code outer pack	4002632961342
Customs tariff number	82119400



INDUSTRIAL BLADE NO. 81

PRODUCT FEATURES

Technical features



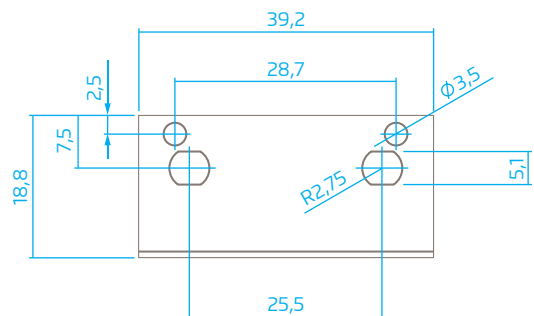
INDUSTRIAL BLADE NO. 81 from MARTOR is a high-quality blade made of steel. It is very sharp and has one usable cutting edge. The blade is 39.2 mm long, 18.8 mm wide and 0.30 mm thick.

INDUSTRIAL BLADE NO. 81 is available under order number 81.32 as 200 pieces.



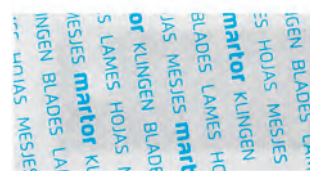
PRODUCT DETAILS

Blade size (L x W)	39.2 x 18.8 mm
Material thickness	0.30 mm
Weight Blade	1.5 g
Basic material	Steel
Ground	2-sided ground-edge
Blade facets	Single bevel edge-ground
Blade characteristics	1-cutting edge blade



PACKAGING DETAILS

Order No.	NO. 81.32
Packaging unit (PU)	200 blades (each paper-wrapped)
Size PU	110 x 50 x 30.0 mm
Weight PU	358.0 g
EAN Code PU	4002632911538
Customs tariff number	82119400



INDUSTRIAL BLADE NO. 83615

PRODUCT FEATURES

Technical features



INDUSTRIAL BLADE NO. 83615 from MARTOR is a high-quality blade made of stainless steel with TiN-coating. It is very sharp and has four cutting edges that can be used one after the other for an extra long service life. The blade is 43.2 mm long, 22 mm wide and 0.15 mm thick. The oil used for the blade is food safe.

INDUSTRIAL BLADE NO. 83615 is available under order number 83615.35 as 500 pieces.

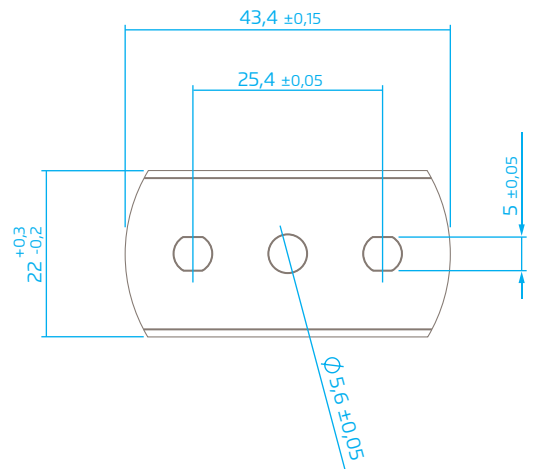
Mountable in

SECUMAX COUPPY
SECUMAX MOBILEX
SECUMAX SNITTY



PRODUCT DETAILS

Blade size (L x W)	43.2 x 22 mm
Material thickness	0.15 mm
Weight Blade	1.0 g
Basic material	Steel
Refinement/ Version	stainless steel, Cutting edges TiN-coated
Ground	2-sided ground-edge
Blade facets	Double bevel edge-ground
Blade characteristics	4-cutting edge blade



PACKAGING DETAILS

Order No.	NO. 83615.35
Packaging unit (PU)	500 blades (each paper-wrapped)
Size PU	235 x 52 x 28.0 mm
Weight PU	508.0 g
EAN Code PU	4002632911644
Customs tariff number	82119400



INDUSTRIAL BLADE NO. 83630

INDUSTRIAL BLADE NO. 83630 from MARTOR is a high-quality blade made of stainless steel with TiN-coating. It is very sharp and has four cutting edges that can be used one after the other for an extra long service life. The blade is 43.2 mm long, 22 mm wide and 0.30 mm thick. The oil used for the blade is food safe.

INDUSTRIAL BLADE NO. 83630 is available under order number 83630.35 as 500 pieces.



PRODUCT FEATURES

Technical features

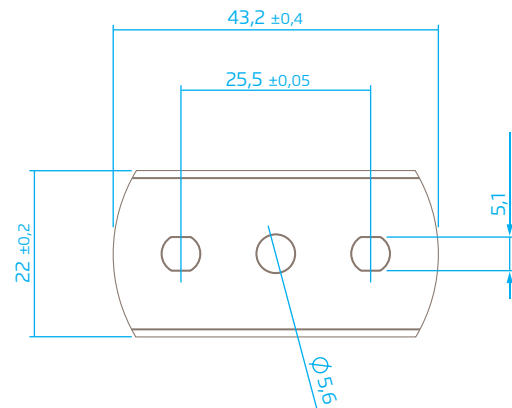


Mountable in

SECUMAX COUPPY
SECUMAX MOBILEX
SECUMAX SNITTY
SECUMAX SALVEX SOS

PRODUCT DETAILS

Blade size (L x W)	43.2 x 22 mm
Material thickness	0.30 mm
Weight Blade	1.9 g
Basic material	Steel
Refinement/ Version	stainless steel, Cutting edges TiN-coated
Ground	2-sided ground-edge
Blade facets	Double bevel edge-ground
Blade characteristics	4-cutting edge blade



PACKAGING DETAILS

Order No.	NO. 83630.35
Packaging unit (PU)	500 blades (each paper-wrapped)
Size PU	235 x 52 x 28.0 mm
Weight PU	1087.0 g
EAN Code PU	4002632916434
Customs tariff number	82119400



INDUSTRIAL BLADE NO. 83715

PRODUCT FEATURES

Technical features



INDUSTRIAL BLADE NO. 83715 from MARTOR is a high-quality blade made of stainless steel with TiN-coating. It is very sharp and has four cutting edges that can be used one after the other for an extra long service life. The blade is 43 mm long, 22 mm wide and 0.15 mm thick. The oil used for the blade is food safe.

INDUSTRIAL BLADE NO. 83715 is available under order number 83715.31 as 100 pieces.

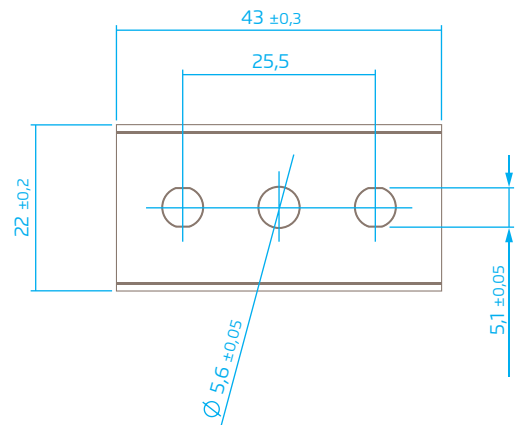
Mountable in

SECUMAX MOBILEX
SECUMAX SNITTY



PRODUCT DETAILS

Blade size (L x W)	43 x 22 mm
Material thickness	0.15 mm
Weight Blade	1.0 g
Basic material	Steel
Refinement/ Version	stainless steel, Cutting edges TiN-coated
Blade facets	Single bevel edge-ground
Blade characteristics	4-cutting edge blade



PACKAGING DETAILS

Order No.	NO. 83715.31
Packaging unit (PU)	100 blades (each paper-wrapped)
Size PU	88 x 23 x 57.0 mm
Weight PU	126.0 g
EAN Code PU	4002632911668
Weight outer pack	130 g
Customs tariff number	82119400



Further packaging units on request.

INDUSTRIAL BLADE NO. 83730

PRODUCT FEATURES

Technical features



INDUSTRIAL BLADE NO. 83730 from MARTOR is a high-quality blade made of stainless steel with TiN-coating. It is very sharp and has four cutting edges that can be used one after the other for an extra long service life. The blade is 43 mm long, 22 mm wide and 0.30 mm thick. The oil used for the blade is food safe.

INDUSTRIAL BLADE NO. 83730 is available under order number 83730.35 as 500 pieces.

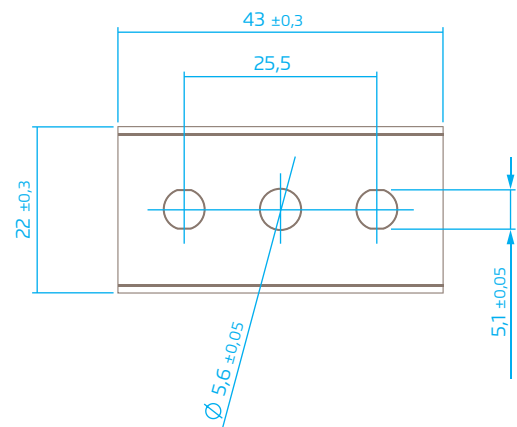
Mountable in

SECUMAX MOBILEX
SECUMAX OPTICUT
SECUMAX SALVEX SOS
SECUMAX SNITTY



PRODUCT DETAILS

Blade size (L x W)	43 x 22 mm
Material thickness	0.30 mm
Weight Blade	1.9 g
Basic material	Steel
Refinement/ Version	stainless steel, Cutting edges TiN-coated
Blade facets	Single bevel edge-ground
Blade characteristics	4-cutting edge blade



PACKAGING DETAILS

Order No.	NO. 83730.35
Packaging unit (PU)	500 blades (each paper-wrapped)
Size PU	235 x 52 x 28.0 mm
Weight PU	1087.0 g
EAN Code PU	4002632911651
Customs tariff number	82119400

Further packaging units on request.



INDUSTRIAL BLADE NO. 869

PRODUCT FEATURES

Technical features



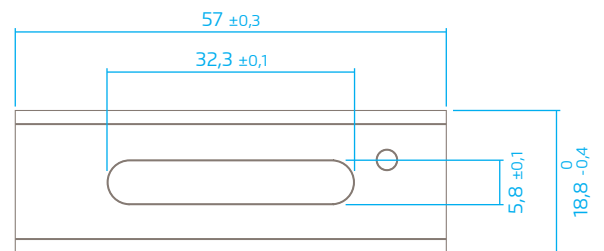
INDUSTRIAL BLADE NO. 869 from MARTOR is a high-quality blade made of steel with TiN-coating. It is very sharp and has two cutting edges that can be used one after the other for a long service life. The wide ground edge makes cutting easier. The blade is 57 mm long, 18.8 mm wide and 0.40 mm thick.

INDUSTRIAL BLADE NO. 869 is available under order number 869.60 in a transparent pack of 10.



PRODUCT DETAILS

Blade size (L x W)	57 x 18.8 mm
Material thickness	0.40 mm
Weight Blade	2.5 g
Basic material	Steel
Refinement/ Version	Cutting edges TiN-coated
Ground	deep-edged, 2-sided ground-edge
Blade facets	Double bevel edge-ground
Blade characteristics	2-cutting edge blade



PACKAGING DETAILS

Order No.	NO. 869.60
Packaging unit (PU)	10 in transparent pack
Size PU	65 x 8 x 25.0 mm
Weight PU	27.0 g
EAN Code PU	4002632916915
Quantity in outer pack	10 transparent packs
Size outer pack	84 x 68 x 27.0 mm
Weight outer pack	280 g
EAN Code outer pack	4002632968235
Customs tariff number	82119400



INDUSTRIAL BLADE NO. 87

PRODUCT FEATURES

Technical features



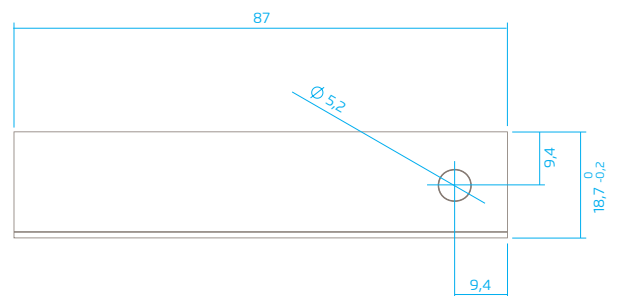
INDUSTRIAL BLADE NO. 87 from MARTOR is a high-quality blade made of steel. It is very sharp and has one usable cutting edge. The blade is 87 mm long, 18.7 mm wide and 0.30 mm thick.

INDUSTRIAL BLADE NO. 87 is available under order number 87.60 in a transparent pack of 10.



PRODUCT DETAILS

Blade size (L x W)	87 x 18.7 mm
Material thickness	0.30 mm
Weight Blade	3.7 g
Basic material	Steel
Ground	2-sided ground-edge
Blade facets	Double bevel edge-ground



PACKAGING DETAILS

Order No.	NO. 87.60
Packaging unit (PU)	10 in transparent pack
Size PU	114 x 22.2 x 8.5 mm
Weight PU	42.5 g
EAN Code PU	4002632913570
Quantity in outer pack	10 transparent packs
Size outer pack	120 x 100 x 25.0 mm
Weight outer pack	450 g
EAN Code outer pack	4002632951336
Customs tariff number	82119400



INJECTOR BLADE NO. 889

PRODUCT FEATURES

Technical features



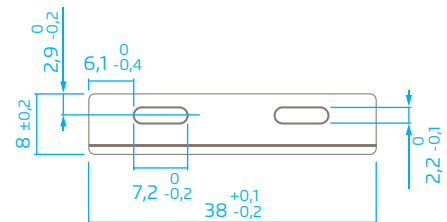
INJECTOR BLADE NO. 889 from MARTOR is a high-quality blade made of stainless steel with TiN-coating. It is very sharp and has one usable cutting edge. Rounded tips increase user safety. The blade is 38 mm long, 8 mm wide and 0.25 mm thick. The oil used for the blade is food safe.

INJECTOR BLADE NO. 889 is available under order number 889.57 in a magazine of 100.



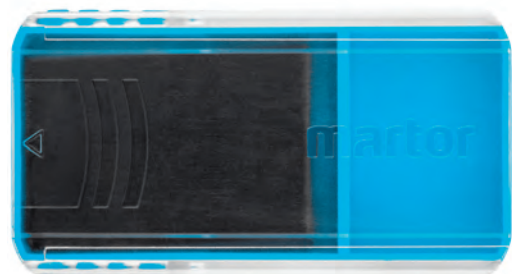
PRODUCT DETAILS

Blade size (L x W)	38 x 8 mm
Material thickness	0.25 mm
Weight Blade	0.5 g
Basic material	Steel
Refinement/ Version	stainless steel, Cutting edges TiN-coated
Ground	2-sided ground-edge
Blade facets	Double bevel edge-ground
Safety feature	rounded blade tips
Blade characteristics	1-cutting edge blade



PACKAGING DETAILS

Order No.	NO. 889.57
Packaging unit (PU)	100 in magazine
Size PU	66 x 36 x 16.5 mm
Weight PU	56.0 g
EAN Code PU	4002632912146
Quantity in outer pack	5 magazines
Size outer pack	166 x 69 x 38.0 mm
Weight outer pack	600 g
EAN Code outer pack	4002632963469
Customs tariff number	82119400



INJECTOR BLADE NO. 89

PRODUCT FEATURES

Technical features



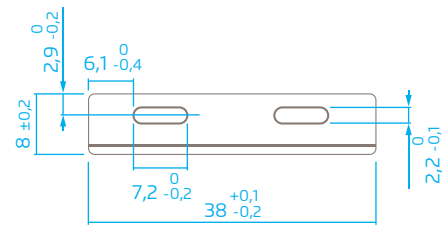
INJECTOR BLADE NO. 89 from MARTOR is a high-quality blade made of steel. It is very sharp and has one usable cutting edge. Rounded tips increase user safety. The blade is 38 mm long, 8 mm wide and 0.25 mm thick.

INJECTOR BLADE NO. 89 is available under order number 89.57 in a magazine of 100.



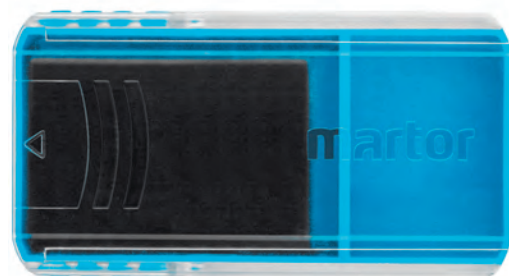
PRODUCT DETAILS

Blade size (L x W)	38 x 8 mm
Material thickness	0.25 mm
Weight Blade	0.5 g
Basic material	Steel
Ground	2-sided ground-edge
Blade facets	Double bevel edge-ground
Safety feature	rounded blade tips
Blade characteristics	1-cutting edge blade



PACKAGING DETAILS

Order No.	NO. 89.57
Packaging unit (PU)	100 in magazine
Size PU	66 x 36 x 16.5 mm
Weight PU	56.0 g
EAN Code PU	4002632912276
Quantity in outer pack	5 magazines
Size outer pack	166 x 69 x 38.0 mm
Weight outer pack	600 g
EAN Code outer pack	4002632963599
Customs tariff number	82119400



SCRAPER BLADE NO. 96

PRODUCT FEATURES

Technical features



SCRAPER BLADE NO. 96 from MARTOR is a high-quality blade made of steel. It is very sharp and has one usable cutting edge. The blade is 99.5 mm long, 14 mm wide and 0.40 mm thick.

SCRAPER BLADE NO. 96 is available under order number 96.60 in a transparent pack of 10.

Mountable in

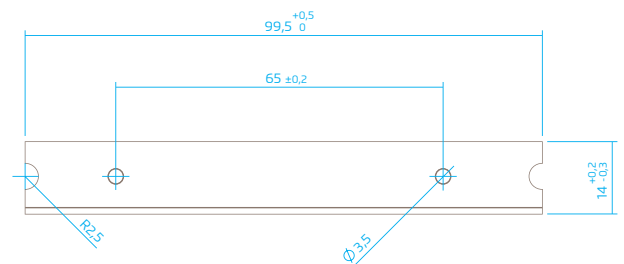
SCRAPEX 5196

SCRAPEX 596



PRODUCT DETAILS

Blade size (L x W)	99.5 x 14 mm
Material thickness	0.40 mm
Weight Blade	4.1 g
Basic material	Steel
Ground	2-sided ground-edge
Blade facets	Double bevel edge-ground
Blade characteristics	1-cutting edge blade



PACKAGING DETAILS

Order No.	NO. 96.60
Packaging unit (PU)	10 in transparent pack
Size PU	114 x 22.2 x 8.5 mm
Weight PU	46.9 g
EAN Code PU	4002632913259
Quantity in outer pack	10 transparent packs
Size outer pack	120 x 100 x 25.0 mm
Weight outer pack	438.8 g
EAN Code outer pack	4002632964572
Customs tariff number	82055980



STYROPOR BLADE NO. 79

STYROPOR BLADE NO. 79 from MARTOR is a high-quality blade made of steel. It is very sharp and has one usable cutting edge. The blade is 109.4 mm long, 17.9 mm wide and 0.50 mm thick.

STYROPOR BLADE NO. 79 is available under order number 79.60 in a transparent pack of 10.



PRODUCT FEATURES

Technical features

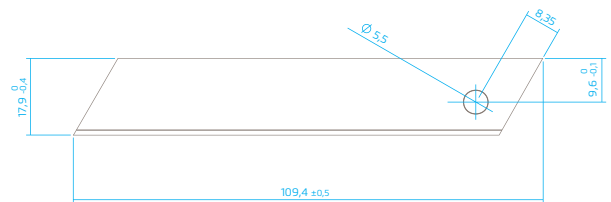


Mountable in

SECUNORM 380
SECUBASE 383
ARGENTAX CUTTEX 18 MM

PRODUCT DETAILS

Blade size (L x W)	109.4 x 17.9 mm
Material thickness	0.50 mm
Weight Blade	6.6 g
Basic material	Steel
Ground	2-sided ground-edge
Blade facets	Double bevel edge-ground
Blade characteristics	1-cutting edge blade



PACKAGING DETAILS

Order No.	NO. 79.60
Packaging unit (PU)	10 in transparent pack
Size PU	108 x 9.4 x 22.0 mm
Weight PU	71.5 g
EAN Code PU	4002632911385
Quantity in outer pack	10 transparent packs
Size outer pack	140 x 105 x 27.0 mm
Weight outer pack	740 g
EAN Code outer pack	4002632962707
Customs tariff number	82119400



STYROPOR BLADE NO. 7940

PRODUCT FEATURES

Technical features



STYROPOR BLADE NO. 7940 from MARTOR is a high-quality blade made of steel. It is very sharp and has one usable cutting edge. The blade is 71.2 mm long, 17.7 mm wide and 0.50 mm thick.

STYROPOR BLADE NO. 7940 is available under order number 7940.60 in a transparent pack of 10.

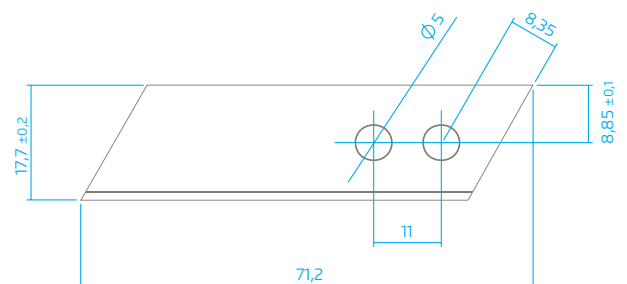
Mountable in

SECUNORM 380
SECUNORM 540
SECUBASE 383



PRODUCT DETAILS

Blade size (L x W)	71.2 x 17.7 mm
Material thickness	0.50 mm
Weight Blade	3.8 g
Basic material	Steel
Ground	2-sided ground-edge
Blade facets	Double bevel edge-ground
Blade characteristics	1-cutting edge blade



PACKAGING DETAILS

Order No.	NO. 7940.60
Packaging unit (PU)	10 in transparent pack
Size PU	94.2 x 22.3 x 9.5 mm
Weight PU	43.0 g
EAN Code PU	4002632918582
Quantity in outer pack	10 transparent packs
Size outer pack	120 x 100 x 25.0 mm
Weight outer pack	450 g
EAN Code outer pack	4002632969904
Customs tariff number	82119400



STYROPOR BLADE NO. 179

PRODUCT FEATURES

Technical features



STYROPOR BLADE NO. 179 from MARTOR is a high-quality blade made of stainless steel. It is very sharp and has one usable cutting edge. The blade is 109.5 mm long, 17.9 mm wide and 0.50 mm thick. The oil used for the blade is food safe.

STYROPOR BLADE NO. 179 is available under order number 179.60 in a transparent pack of 10.

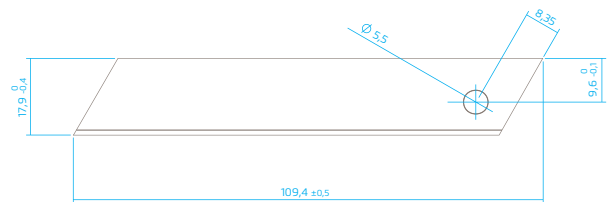
Mountable in

SECUNORM 380
SECUBASE 383
ARGENTAX CUTTEX 18 MM



PRODUCT DETAILS

Blade size (L x W)	109.5 x 17.9 mm
Material thickness	0.50 mm
Weight Blade	6.4 g
Basic material	Steel
Refinement/ Version	stainless steel
Ground	2-sided ground-edge
Blade facets	Double bevel edge-ground
Blade characteristics	1-cutting edge blade



PACKAGING DETAILS

Order No.	NO. 179.60
Packaging unit (PU)	10 in transparent pack
Size PU	114 x 22.2 x 8.5 mm
Weight PU	71.0 g
EAN Code PU	4002632919213
Quantity in outer pack	10 transparent packs
Size outer pack	120 x 100 x 25.0 mm
Weight outer pack	720 g
EAN Code outer pack	4002632970535
Customs tariff number	82119400



STYROPOR BLADE NO. 17940

PRODUCT FEATURES

Technical features



STYROPOR BLADE NO. 17940 from MARTOR is a high-quality blade made of stainless steel. It is very sharp and has one usable cutting edge. The blade is 71.2 mm long, 17.7 mm wide and 0.50 mm thick. The oil used for the blade is food safe.

STYROPOR BLADE NO. 17940 is available under order number 17940.60 in a transparent pack of 10.

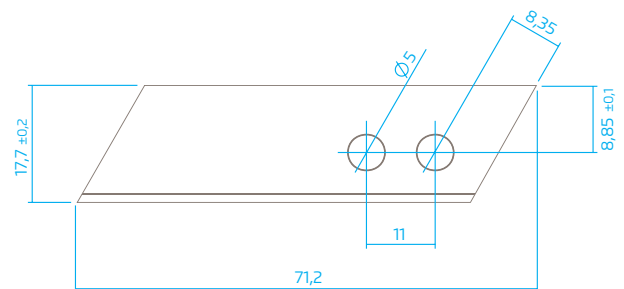
Mountable in

SECUNORM 380
SECUNORM 540
SECUBASE 383



PRODUCT DETAILS

Blade size (L x W)	71.2 x 17.7 mm
Material thickness	0.50 mm
Weight Blade	3.9 g
Basic material	Steel
Refinement/ Version	stainless steel
Ground	2-sided ground-edge
Blade facets	Double bevel edge-ground
Blade characteristics	1-cutting edge blade



PACKAGING DETAILS

Order No.	NO. 17940.60
Packaging unit (PU)	10 in transparent pack
Size PU	94.2 x 22.3 x 9.5 mm
Weight PU	44.5 g
EAN Code PU	4002632919220
Quantity in outer pack	10 transparent packs
Size outer pack	120 x 100 x 25.0 mm
Weight outer pack	470 g
EAN Code outer pack	4002632970542
Customs tariff number	82119400



STYROPOR BLADE NO. 379

PRODUCT FEATURES

Technical features



STYROPOR BLADE NO. 379 from MARTOR is a high-quality blade made of steel with a serrated edge. It is very sharp and has one usable cutting edge. The blade is 109.5 mm long, 17.7 mm wide and 0.50 mm thick.

STYROPOR BLADE NO. 379 is available under order number 379.60 in a transparent pack of 10.

Mountable in

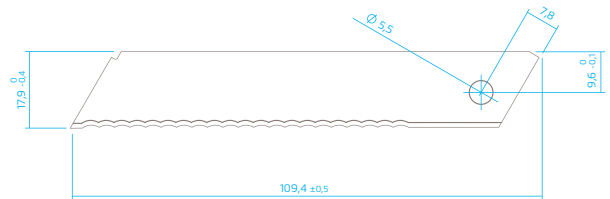
SECUNORM 380

SECUBASE 383



PRODUCT DETAILS

Blade size (L x W)	109.5 x 17.7 mm
Material thickness	0.50 mm
Weight Blade	6.5 g
Basic material	Steel
Ground	Serrated edge, 1-sided ground-edge
Blade facets	Double bevel edge-ground
Blade characteristics	1-cutting edge blade



PACKAGING DETAILS

Order No.	NO. 379.60
Packaging unit (PU)	10 in transparent pack
Size PU	122.3 x 22.1 x 9.4 mm
Weight PU	73.1 g
EAN Code PU	4002632801617
Quantity in outer pack	10 transparent packs
Size outer pack	128 x 67 x 45.0 mm
Weight outer pack	700 g
EAN Code outer pack	4002632851612
Customs tariff number	82119400



STYROPOR BLADE NO. 879

PRODUCT FEATURES

Technical features

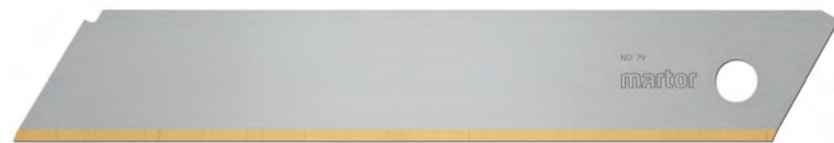


STYROPOR BLADE NO. 879 from MARTOR is a high-quality blade made of steel with TiN-coating. It is very sharp and has one usable cutting edge. The blade is 109.4 mm long, 17.9 mm wide and 0.50 mm thick.

STYROPOR BLADE NO. 879 is available under order number 879.60 in a transparent pack of 10.

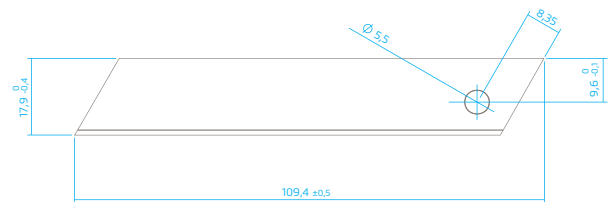
Mountable in

SECUNORM 380
SECUBASE 383
ARGENTAX CUTTEX 18 MM



PRODUCT DETAILS

Blade size (L x W)	109.4 x 17.9 mm
Material thickness	0.50 mm
Weight Blade	6.6 g
Basic material	Steel
Refinement/ Version	Cutting edges TiN-coated
Ground	2-sided ground-edge
Blade facets	Double bevel edge-ground
Blade characteristics	1-cutting edge blade



PACKAGING DETAILS

Order No.	NO. 879.60
Packaging unit (PU)	10 in transparent pack
Size PU	108 x 9.4 x 22.0 mm
Weight PU	71.5 g
EAN Code PU	4002632918407
Quantity in outer pack	10 transparent packs
Size outer pack	140 x 105 x 27.0 mm
Weight outer pack	740 g
EAN Code outer pack	4002632969720
Customs tariff number	82119400



STYROPOR BLADE NO. 86

STYROPOR BLADE NO. 86 from MARTOR is a high-quality blade made of steel. It is very sharp and has one usable cutting edge. The blade is 94.5 mm long, 8.9 mm wide and 0.40 mm thick.

STYROPOR BLADE NO. 86 is available under order number 86.60 in a transparent pack of 10.

PRODUCT FEATURES

Technical features



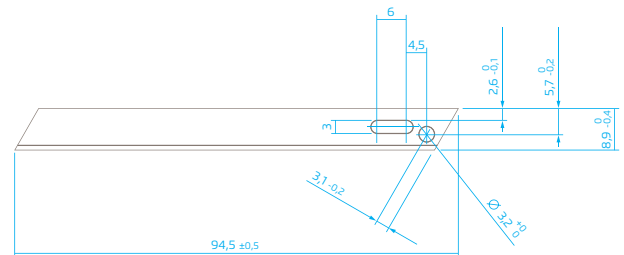
Mountable in

ARGENTAX CUTTEX 9 MM



PRODUCT DETAILS

Blade size (L x W)	94.5 x 8.9 mm
Material thickness	0.40 mm
Weight Blade	2.2 g
Basic material	Steel
Ground	2-sided ground-edge
Blade facets	Double bevel edge-ground
Blade characteristics	1-cutting edge blade



PACKAGING DETAILS

Order No.	NO. 86.60
Packaging unit (PU)	10 in transparent pack
Size PU	108 x 9.4 x 22.0 mm
Weight PU	28.0 g
EAN Code PU	4002632911897
Quantity in outer pack	10 transparent packs
Size outer pack	128 x 67 x 45.0 mm
Weight outer pack	304.7 g
EAN Code outer pack	4002632963216
Customs tariff number	82119400



SNAP-OFF-BLADE NO. 77

SNAP-OFF-BLADE NO. 77 from MARTOR is a high-quality blade made of steel. It is very sharp and has one usable cutting edge and multiple segments. The blade is 109.4 mm long, 17.9 mm wide and 0.50 mm thick.

SNAP-OFF-BLADE NO. 77 is available under order number 77.60 in a transparent pack of 10.



PRODUCT FEATURES

Technical features

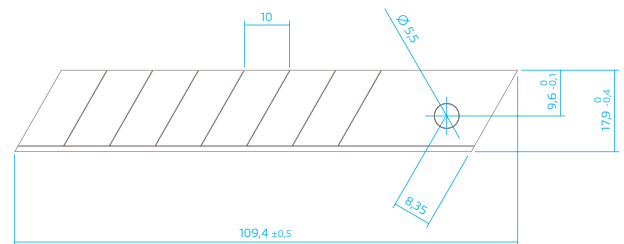


Mountable in

ARGENTAX CUTTEX 18 MM

PRODUCT DETAILS

Blade size (L x W)	109.4 x 17.9 mm
Material thickness	0.50 mm
Weight Blade	6.5 g
Basic material	Steel
Ground	2-sided ground-edge
Blade facets	Double bevel edge-ground
Blade characteristics	1-cutting edge blade



PACKAGING DETAILS

Order No.	NO. 77.60
Packaging unit (PU)	10 in transparent pack
Size PU	108 x 9.4 x 22.0 mm
Weight PU	72.0 g
EAN Code PU	4002632911026
Quantity in outer pack	10 transparent packs
Size outer pack	140 x 105 x 27.0 mm
Weight outer pack	740 g
EAN Code outer pack	4002632962349
Customs tariff number	82119400



SNAP-OFF-BLADE NO. 76

PRODUCT FEATURES

Technical features



SNAP-OFF-BLADE NO. 76 from MARTOR is a high-quality blade made of steel. It is very sharp and has one usable cutting edge and multiple segments. The blade is 94.5 mm long, 8.9 mm wide and 0.40 mm thick.

SNAP-OFF-BLADE NO. 76 is available under order number 76.60 in a transparent pack of 10.

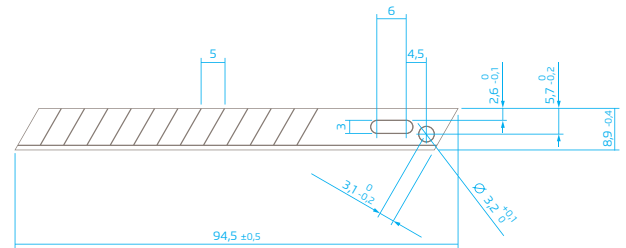
Mountable in

ARGENTAX CUTTEX 9 MM



PRODUCT DETAILS

Blade size (L x W)	94.5 x 8.9 mm
Material thickness	0.40 mm
Weight Blade	2.3 g
Basic material	Steel
Ground	2-sided ground-edge
Blade facets	Double bevel edge-ground
Blade characteristics	1-cutting edge blade



PACKAGING DETAILS

Order No.	NO. 76.60
Packaging unit (PU)	10 in transparent pack
Size PU	104 x 12.6 x 7.4 mm
Weight PU	25.3 g
EAN Code PU	4002632910838
Quantity in outer pack	10 transparent packs
Size outer pack	110 x 27 x 47.0 mm
Weight outer pack	270 g
EAN Code outer pack	4002632962158
Customs tariff number	82119400



SMALL SPECIAL PURPOSE BLADE NO. 643

PRODUCT FEATURES

Technical features



SMALL SPECIAL PURPOSE BLADE NO. 643 from MARTOR is a high-quality blade made of steel. It is very sharp and has two cutting edges for a long service life. The blade is 43 mm long, 6 mm wide and 0.50 mm thick.

SMALL SPECIAL PURPOSE BLADE NO. 643 is available under order number 643.50 in a magazine of 10.

Mountable in

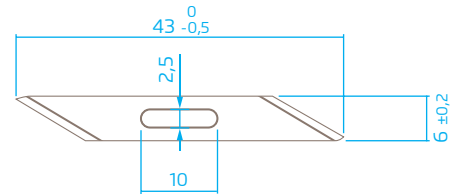
TRIMMEX CUTTOGRAF



TOPSELLER

PRODUCT DETAILS

Blade size (L x W)	43 x 6 mm
Material thickness	0.50 mm
Weight Blade	0.7 g
Basic material	Steel
Ground	2-sided ground-edge
Blade facets	Double bevel edge-ground
Blade characteristics	2-cutting edge blade



PACKAGING DETAILS

Order No.	NO. 643.50
Packaging unit (PU)	10 in magazine
Size PU	66 x 25 x 18.5 mm
Weight PU	18.5 g
EAN Code PU	4002632908958
Quantity in outer pack	10 magazines
Size outer pack	188 x 69 x 27.5 mm
Weight outer pack	210 g
EAN Code outer pack	4002632960277
Customs tariff number	82141000



LARGE SPECIAL PURPOSE BLADE NO. 104

PRODUCT FEATURES

Technical features



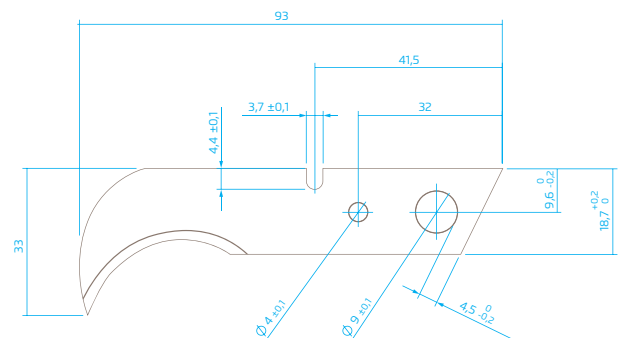
LARGE SPECIAL PURPOSE BLADE NO. 104 from MARTOR is a high-quality blade made of steel. It is very sharp and has one usable cutting edge. The blade is 93 mm long, 33 mm wide and 0.80 mm thick.

LARGE SPECIAL PURPOSE BLADE No. 104 is available under order number 104.60 in a transparent pack of 10.



PRODUCT DETAILS

Blade size (L x W)	93 x 33 mm
Material thickness	0.80 mm
Weight Blade	9.4 g
Basic material	Steel
Ground	Spezienschliff, 2-sided ground-edge
Blade facets	Single bevel edge-ground
Blade characteristics	1-cutting edge blade



PACKAGING DETAILS

Order No.	NO. 104.60
Packaging unit (PU)	10 in transparent pack
Size PU	138 x 39.7 x 12.0 mm
Weight PU	114.0 g
EAN Code PU	4002632919633
Quantity in outer pack	10 transparent packs
Size outer pack	155 x 115 x 40.0 mm
Weight outer pack	1180 g
EAN Code outer pack	4002632970955
Customs tariff number	82119400



LARGE SPECIAL PURPOSE BLADE NO. 105

PRODUCT FEATURES

Technical features



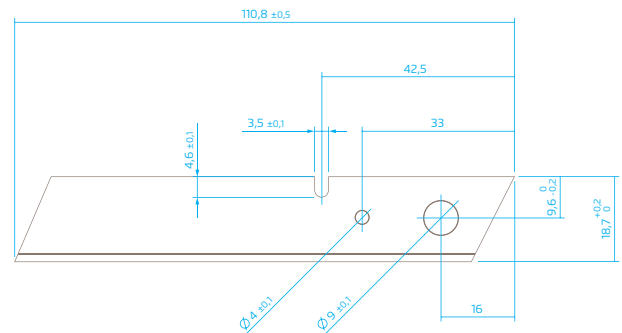
LARGE SPECIAL PURPOSE BLADE NO. 105 from MARTOR is a high-quality blade made of steel. It is very sharp and has one usable cutting edge. The blade is 110.8 mm long, 18.7 mm wide and 0.80 mm thick.

LARGE SPECIAL PURPOSE BLADE No. 105 is available under order number 105.62 in a transparent pack of 5.



PRODUCT DETAILS

Blade size (L x W)	110.8 x 18.7 mm
Material thickness	0.80 mm
Weight Blade	10.6 g
Basic material	Steel
Ground	2-sided ground-edge
Blade facets	Double bevel edge-ground
Blade characteristics	1-cutting edge blade



PACKAGING DETAILS

Order No.	NO. 105.62
Packaging unit (PU)	5 in transparent pack
Size PU	138 x 39.7 x 12.0 mm
Weight PU	60.0 g
EAN Code PU	4002632919657
Quantity in outer pack	10 transparent packs
Size outer pack	155 x 115 x 40.0 mm
Weight outer pack	610 g
EAN Code outer pack	4002632970979
Customs tariff number	82119400



LARGE SPECIAL PURPOSE BLADE NO. 106

PRODUCT FEATURES

Technical features



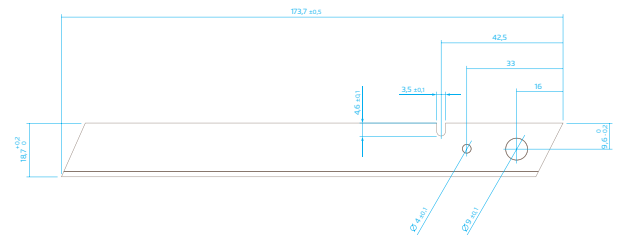
LARGE SPECIAL PURPOSE BLADE NO. 106 from MARTOR is a high-quality blade made of steel. It is very sharp and has one usable cutting edge. The blade is 173.7 mm long, 18.7 mm wide and 0.80 mm thick.

LARGE SPECIAL PURPOSE BLADE No. 106 is available under order number 106.62 in a transparent pack of 5.



PRODUCT DETAILS

Blade size (L x W)	173.7 x 18.7 mm
Material thickness	0.80 mm
Weight Blade	17.7 g
Basic material	Steel
Ground	2-sided ground-edge
Blade facets	Double bevel edge-ground
Blade characteristics	1-cutting edge blade



PACKAGING DETAILS

Order No.	NO. 106.62
Packaging unit (PU)	5 in transparent pack
Size PU	122.3 x 22.1 x 9.4 mm
Weight PU	94.5 g
EAN Code PU	4002632920097
Quantity in outer pack	20 transparent packs
Size outer pack	225 x 105 x 42.0 mm
Weight outer pack	2000 g
EAN Code outer pack	4002632971419
Customs tariff number	82119400



LARGE SPECIAL PURPOSE BLADE NO. 107

PRODUCT FEATURES

Technical features



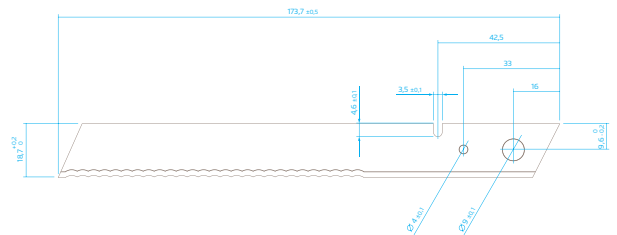
LARGE SPECIAL PURPOSE BLADE NO. 107 from MARTOR is a high-quality blade made of steel with a serrated edge. It is very sharp and has one usable cutting edge. The blade is 173.7 mm long, 18.7 mm wide and 0.80 mm thick.

LARGE SPECIAL PURPOSE BLADE No. 107 is available under order number 107.62 in a transparent pack of 5.



PRODUCT DETAILS

Blade size (L x W)	173.7 x 18.7 mm
Material thickness	0.80 mm
Weight Blade	17.3 g
Basic material	Steel
Ground	Serrated edge, 1-sided ground-edge
Blade facets	Single bevel edge-ground
Blade characteristics	1-cutting edge blade



PACKAGING DETAILS

Order No.	NO. 107.62
Packaging unit (PU)	5 in transparent pack
Size PU	122.3 x 22.1 x 9.4 mm
Weight PU	93.0 g
EAN Code PU	4002632800801
Quantity in outer pack	20 transparent packs
Size outer pack	155 x 115 x 40.0 mm
Weight outer pack	2000 g
EAN Code outer pack	4002632850806
Customs tariff number	82119400



LARGE SPECIAL PURPOSE BLADE NO. 112

PRODUCT FEATURES

Technical features



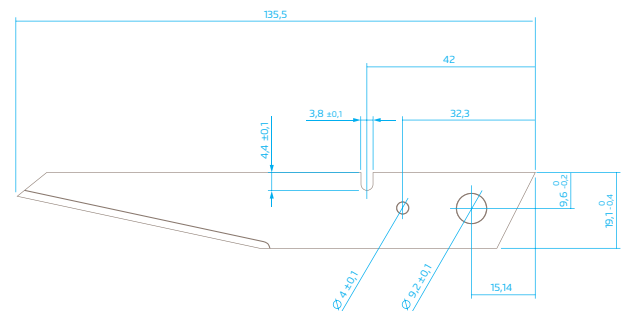
LARGE SPECIAL PURPOSE BLADE NO. 112 from MARTOR is a high-quality blade made of steel. It is very sharp and has one usable cutting edge. The blade is 135.5 mm long, 19.1 mm wide and 0.80 mm thick.

LARGE SPECIAL PURPOSE BLADE No. 112 is available under order number 112.62 in a transparent pack of 5.



PRODUCT DETAILS

Blade size (L x W)	135.5 x 19.1 mm
Material thickness	0.80 mm
Weight Blade	11.5 g
Basic material	Steel
Ground	2-sided ground-edge
Blade facets	Double bevel edge-ground
Blade characteristics	1-cutting edge blade



PACKAGING DETAILS

Order No.	NO. 112.62
Packaging unit (PU)	5 in transparent pack
Size PU	122.3 x 22.1 x 9.4 mm
Weight PU	64.0 g
EAN Code PU	4002632919626
Quantity in outer pack	20 transparent packs
Size outer pack	155 x 115 x 40.0 mm
Weight outer pack	1300 g
EAN Code outer pack	4002632970948
Customs tariff number	82119400



LARGE SPECIAL PURPOSE BLADE NO. 115

PRODUCT FEATURES

Technical features



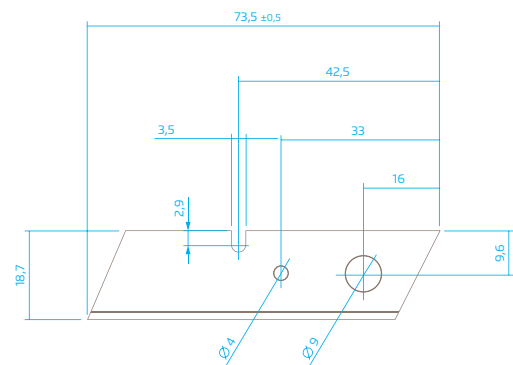
LARGE SPECIAL PURPOSE BLADE NO. 115 from MARTOR is a high-quality blade made of steel. It is very sharp and has one usable cutting edge. The blade is 73.5 mm long, 18.7 mm wide and 0.80 mm thick.

LARGE SPECIAL PURPOSE BLADE No. 115 is available under order number 115.62 in a transparent pack of 5.



PRODUCT DETAILS

Blade size (L x W)	73.5 x 18.7 mm
Material thickness	0.80 mm
Weight Blade	6.4 g
Basic material	Steel
Ground	2-sided ground-edge
Blade facets	Double bevel edge-ground
Blade characteristics	1-cutting edge blade



PACKAGING DETAILS

Order No.	NO. 115.62
Packaging unit (PU)	5 in transparent pack
Size PU	122.3 x 22.1 x 9.4 mm
Weight PU	40.0 g
EAN Code PU	4002632902321
Quantity in outer pack	10 transparent packs
Size outer pack	128 x 67 x 45.0 mm
Weight outer pack	420 g
EAN Code outer pack	4002632953644
Customs tariff number	82119400



LARGE SPECIAL PURPOSE BLADE NO. 160060

LARGE SPECIAL PURPOSE BLADE NO. 160060 from MARTOR is a high-quality blade OR is a high-quality blade made of stainless steel. It is very sharp and has one usable cutting edge. The rounded tip increase user safety. The blade is 66.5 mm long, 18.9 mm wide and 0.63 mm thick.

LARGE SPECIAL PURPOSE BLADE No. 160060 is available under order number 160060.62 in a transparent pack of 5.



PRODUCT FEATURES

Technical features

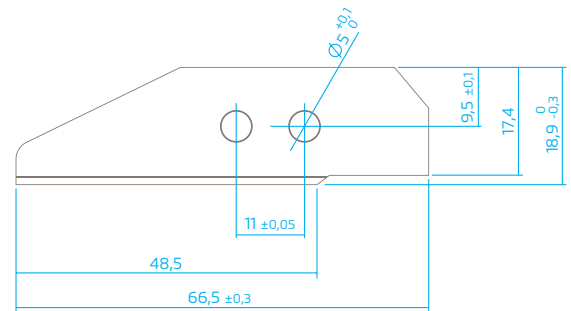


Mountable in

SECUNORM 610 XDR

PRODUCT DETAILS

Blade size (L x W)	66.5 x 18.9 mm
Material thickness	0.63 mm
Weight Blade	4.7 g
Basic material	Stainless steel
Refinement/ Version	stainless steel
Ground	2-sided ground-edge
Blade facets	Single bevel edge-ground
Safety feature	rounded blade tip
Blade characteristics	1-cutting edge blade



PACKAGING DETAILS

Order No.	NO. 160060.62
Packaging unit (PU)	5 in transparent pack
Size PU	75 x 22 x 9.6 mm
Weight PU	27.4 g
EAN Code PU	4002632804298
Quantity in outer pack	10 transparent packs
Size outer pack	80 x 23.5 x 100.0 mm
Weight outer pack	286 g
EAN Code outer pack	4002632854293
Customs tariff number	82119400



LARGE SPECIAL PURPOSE BLADE NO. 702

PRODUCT FEATURES

Technical features



LARGE SPECIAL PURPOSE BLADE NO. 702 from MARTOR is a high-quality blade made of stainless steel. It is very sharp and has two cutting edges for a long service life. The blade is 433 mm long, 20 mm wide and 1.00 mm thick. The oil used for the blade is food safe.

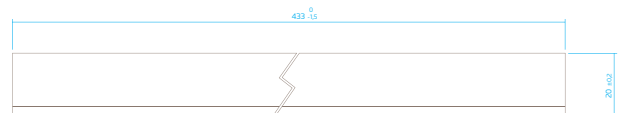
LARGE SPECIAL PURPOSE BLADE NO. 702 is available under order number 702.04 in a pouch of 1.



40% of original size

PRODUCT DETAILS

Blade size (L x W)	433 x 20 mm
Material thickness	1.00 mm
Weight Blade	62.8 g
Basic material	Steel
Refinement/ Version	stainless steel
Ground	1-sided ground-edge
Blade facets	Double bevel edge-ground
Blade characteristics	2-cutting edge blade



PACKAGING DETAILS

Order No.	NO. 702.04
Packaging unit (PU)	1 in pouch
Size PU	445 x 30 x 2 mm
Weight PU	70.3 g
EAN Code PU	4002632909870
Quantity in outer pack	4 pouches
EAN Code outer pack	4002632961199
Customs tariff number	82119400



LARGE SPECIAL PURPOSE BLADE NO. 779

PRODUCT FEATURES

Technical features



LARGE SPECIAL PURPOSE BLADE NO. 779 from MARTOR is a high-quality blade made of steel. It is very sharp and has one usable cutting edge. The blade is 210.4 mm long, 18 mm wide and 0.50 mm thick.

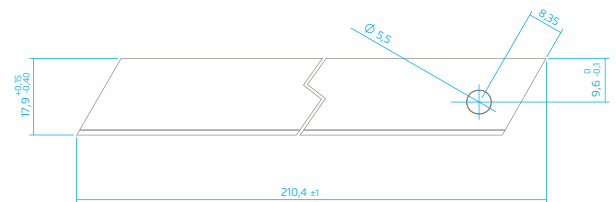
LARGE SPECIAL PURPOSE BLADE NO. 779 is available under order number 779.40 as 10 paper-wrapped pieces.



90% of original size

PRODUCT DETAILS

Blade size (L x W)	210.4 x 18 mm
Material thickness	0.50 mm
Weight Blade	13.2 g
Basic material	Steel
Ground	2-sided ground-edge
Blade facets	Double bevel edge-ground



PACKAGING DETAILS

Order No.	NO. 779.40
Packaging unit (PU)	10 paper-wrapped
Size PU	210 x 21 x 5.5 mm
Weight PU	134.0 g
EAN Code PU	4002632911101
Quantity in outer pack	500 blades
Size outer pack	225 x 148 x 56.0 mm
Weight outer pack	6850 g
EAN Code outer pack	4002632962424
Customs tariff number	82119400



SCALPEL BLADE NO. 11

SCALPEL BLADE NO. 11 from MARTOR is a high-quality blade made of steel. It is very sharp and has one usable cutting edge. The blade is 41.5 mm long, 5.9 mm wide and 0.40 mm thick.

SCALPEL BLADE NO. 11 is available under order number 11.50 in a magazine of 10.



TOPSELLER

PRODUCT FEATURES

Technical features

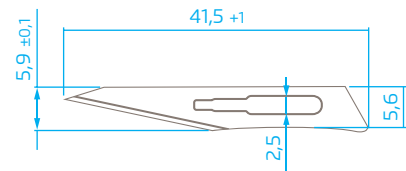


Mountable in

GRAFIX SCALPELL SMALL
TRIMMEX CUTTOGRAF

PRODUCT DETAILS

Blade size (L x W)	41.5 x 5.9 mm
Material thickness	0.40 mm
Weight Blade	0.4 g
Basic material	Steel
Ground	Special grinding, 2-sided ground-edge
Blade facets	Single bevel edge-ground
Blade characteristics	1-cutting edge blade



PACKAGING DETAILS

Order No.	NO. 11.50
Packaging unit (PU)	10 in magazine
Size PU	66 x 25 x 18.5 mm
Weight PU	16.6 g
EAN Code PU	4002632913730
Quantity in outer pack	10 magazines
Size outer pack	188 x 69 x 27.5 mm
Weight outer pack	190 g
EAN Code outer pack	4002632965050
Customs tariff number	82141000



SCALPEL BLADE NO. 10

PRODUCT FEATURES

Technical features



SCALPEL BLADE NO. 10 from MARTOR is a high-quality blade made of steel. It is very sharp and has one usable cutting edge. The blade is 41.7 mm long, 7.2 mm wide and 0.40 mm thick.

SCALPEL BLADE NO. 10 is available under order number 10.50 in a magazine of 10.

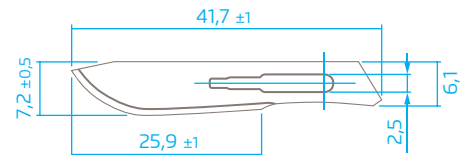
Mountable in

GRAFIX SCALPELL SMALL
TRIMMEX CUTTOGRAF



PRODUCT DETAILS

Blade size (L x W)	41.7 x 7.2 mm
Material thickness	0.40 mm
Weight Blade	0.6 g
Basic material	Steel
Ground	Special grinding, 2-sided ground-edge
Blade facets	Single bevel edge-ground
Blade characteristics	1-cutting edge blade



PACKAGING DETAILS

Order No.	NO. 10.50
Packaging unit (PU)	10 in magazine
Size PU	66 x 25 x 18.5 mm
Weight PU	18.5 g
EAN Code PU	4002632914157
Quantity in outer pack	10 magazines
Size outer pack	188 x 69 x 27.5 mm
Weight outer pack	220 g
EAN Code outer pack	4002632965470
Customs tariff number	82141000



SCALPEL BLADE NO. 1025

PRODUCT FEATURES

Technical features



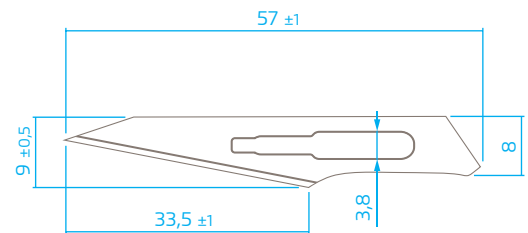
SCALPEL BLADE NO. 1025 from MARTOR is a high-quality blade made of steel. It is very sharp and has one usable cutting edge. The blade is 57 mm long, 9 mm wide and 0.40 mm thick.

SCALPEL BLADE NO. 1025 is available under order number 1025.50 in a magazine of 10.



PRODUCT DETAILS

Blade size (L x W)	57 x 9 mm
Material thickness	0.40 mm
Weight Blade	0.8 g
Basic material	Steel
Ground	Special grinding, 2-sided ground-edge
Blade facets	Single bevel edge-ground
Blade characteristics	1-cutting edge blade



PACKAGING DETAILS

Order No.	NO. 1025.50
Packaging unit (PU)	10 in magazine
Size PU	66 x 25 x 18.5 mm
Weight PU	20.4 g
EAN Code PU	4002632901072
Quantity in outer pack	10 magazines
Size outer pack	188 x 69 x 27.5 mm
Weight outer pack	220 g
EAN Code outer pack	4002632952395
Customs tariff number	82141000



SCALPEL BLADE NO. 1031

PRODUCT FEATURES

Technical features



SCALPEL BLADE NO. 1031 from MARTOR is a high-quality blade made of steel. It is very sharp and has one usable cutting edge. The blade is 42 mm long, 7.5 mm wide and 0.40 mm thick.

SCALPEL BLADE NO. 1031 is available under order number 1031.50 in a magazine of 10.

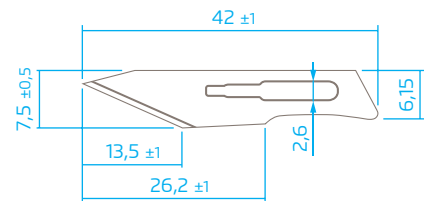
Mountable in

GRAFIX CLAPPEX KLEIN
TRIMMEX CUTTOGRAF



PRODUCT DETAILS

Blade size (L x W)	42 x 7.5 mm
Material thickness	0.40 mm
Weight Blade	0.6 g
Basic material	Steel
Ground	Special grinding, 2-sided ground-edge
Blade facets	Single bevel edge-ground
Blade characteristics	1-cutting edge blade



PACKAGING DETAILS

Order No.	NO. 1031.50
Packaging unit (PU)	10 in magazine
Size PU	66 x 25 x 18.5 mm
Weight PU	18.0 g
EAN Code PU	4002632901096
Quantity in outer pack	10 magazines
Size outer pack	188 x 69 x 27.5 mm
Weight outer pack	220 g
EAN Code outer pack	4002632952418
Customs tariff number	82141000



SCALPEL BLADE NO. 12

SCALPEL BLADE NO. 12 from MARTOR is a high-quality blade made of steel. It is very sharp and has one usable cutting edge. The blade is 38 mm long, 11.4 mm wide and 0.40 mm thick.

SCALPEL BLADE NO. 12 is available under order number 12.50 in a magazine of 10.



PRODUCT FEATURES

Technical features

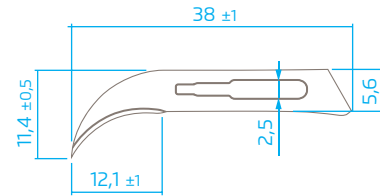


Mountable in

GRAFIX SCALPELL SMALL
TRIMMEX CUTTOGRAF

PRODUCT DETAILS

Blade size (L x W)	38 x 11.4 mm
Material thickness	0.40 mm
Weight Blade	0.5 g
Basic material	Steel
Ground	Special grinding, 2-sided ground-edge
Blade facets	Single bevel edge-ground
Blade characteristics	1-cutting edge blade



PACKAGING DETAILS

Order No.	NO. 12.50
Packaging unit (PU)	10 in magazine
Size PU	66 x 25 x 18.5 mm
Weight PU	16.8 g
EAN Code PU	4002632914232
Quantity in outer pack	10 magazines
Size outer pack	188 x 69 x 27.5 mm
Weight outer pack	200 g
EAN Code outer pack	4002632965555
Customs tariff number	82141000



SCALPEL BLADE NO. 13

PRODUCT FEATURES

Technical features



Mountable in

GRAFIX SCALPELL SMALL
TRIMMEX CUTTOGRAF

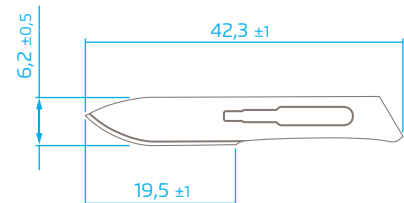
SCALPEL BLADE NO. 13 from MARTOR is a high-quality blade made of steel. It is very sharp and has one usable cutting edge. The blade is 42.3 mm long, 6.2 mm wide and 0.40 mm thick.

SCALPEL BLADE NO. 13 is available under order number 13.50 in a magazine of 10.



PRODUCT DETAILS

Blade size (L x W)	42.3 x 6.2 mm
Material thickness	0.40 mm
Weight Blade	0.5 g
Basic material	Steel
Ground	Special grinding, 2-sided ground-edge
Blade facets	Single bevel edge-ground
Blade characteristics	1-cutting edge blade



PACKAGING DETAILS

Order No.	NO. 13.50
Packaging unit (PU)	10 in magazine
Size PU	66 x 25 x 18.5 mm
Weight PU	17.5 g
EAN Code PU	4002632901997
Quantity in outer pack	10 magazines
Size outer pack	188 x 69 x 27.5 mm
Weight outer pack	190 g
EAN Code outer pack	4002632953316
Customs tariff number	82141000



SCALPEL BLADE NO. 14

SCALPEL BLADE NO. 14 from MARTOR is a high-quality blade made of steel. It is very sharp and has one usable cutting edge. The blade is 48.8 mm long, 7.5 mm wide and 0.40 mm thick.

SCALPEL BLADE NO. 14 is available under order number 14.50 in a magazine of 10.



PRODUCT FEATURES

Technical features

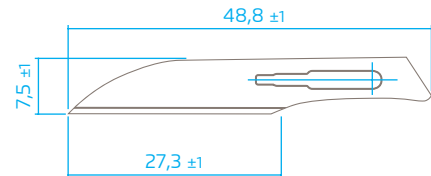


Mountable in

GRAFIX SCALPELL SMALL
TRIMMEX CUTTOGRAF

PRODUCT DETAILS

Blade size (L x W)	48.8 x 7.5 mm
Material thickness	0.40 mm
Weight Blade	0.7 g
Basic material	Steel
Ground	Special grinding, 2-sided ground-edge
Blade facets	Single bevel edge-ground
Blade characteristics	1-cutting edge blade



PACKAGING DETAILS

Order No.	NO. 14.50
Packaging unit (PU)	10 in magazine
Size PU	66 x 25 x 18.5 mm
Weight PU	18.8 g
EAN Code PU	4002632902154
Quantity in outer pack	10 magazines
Size outer pack	188 x 69 x 27.5 mm
Weight outer pack	207 g
EAN Code outer pack	4002632953477
Customs tariff number	82141000



SCALPEL BLADE NO. 21

PRODUCT FEATURES

Technical features



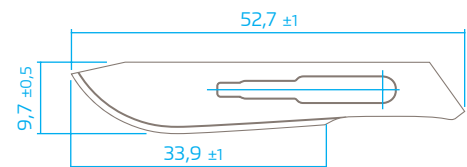
SCALPEL BLADE NO. 21 from MARTOR is a high-quality blade made of steel. It is very sharp and has one usable cutting edge. The blade is 52.7 mm long, 9.7 mm wide and 0.40 mm thick.

SCALPEL BLADE NO. 21 is available under order number 21.50 in a magazine of 10.



PRODUCT DETAILS

Blade size (L x W)	52.7 x 9.7 mm
Material thickness	0.40 mm
Weight Blade	1.0 g
Basic material	Steel
Ground	Special grinding, 2-sided ground-edge
Blade facets	Single bevel edge-ground
Blade characteristics	1-cutting edge blade



PACKAGING DETAILS

Order No.	NO. 21.50
Packaging unit (PU)	10 in magazine
Size PU	66 x 25 x 18.5 mm
Weight PU	22.0 g
EAN Code PU	4002632903267
Quantity in outer pack	10 magazines
Size outer pack	188 x 69 x 27.5 mm
Weight outer pack	240 g
EAN Code outer pack	4002632954580
Customs tariff number	82141000



SCALPEL BLADE NO. 23

PRODUCT FEATURES

Technical features



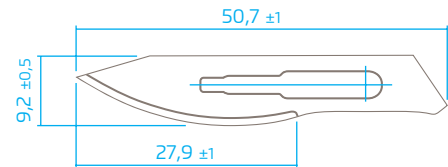
SCALPEL BLADE NO. 23 from MARTOR is a high-quality blade made of steel. It is very sharp and has one usable cutting edge. The blade is 50.7 mm long, 9.2 mm wide and 0.40 mm thick.

SCALPEL BLADE NO. 23 is available under order number 23.50 in a magazine of 10.



PRODUCT DETAILS

Blade size (L x W)	50.7 x 9.2 mm
Material thickness	0.40 mm
Weight Blade	0.8 g
Basic material	Steel
Ground	Special grinding, 2-sided ground-edge
Blade facets	Single bevel edge-ground
Blade characteristics	1-cutting edge blade



PACKAGING DETAILS

Order No.	NO. 23.50
Packaging unit (PU)	10 in magazine
Size PU	66 x 25 x 18.5 mm
Weight PU	20.4 g
EAN Code PU	4002632903625
Quantity in outer pack	10 magazines
Size outer pack	188 x 69 x 27.5 mm
Weight outer pack	220 g
EAN Code outer pack	4002632954948
Customs tariff number	82141000



Further packaging units on request.

SCALPEL BLADE NO. 24

PRODUCT FEATURES

Technical features



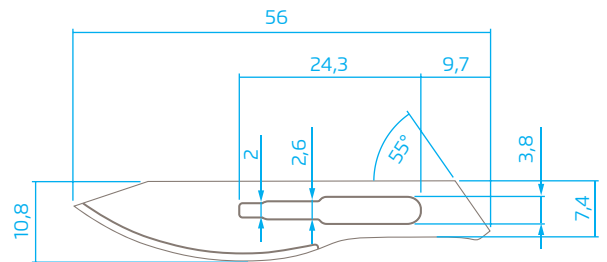
SCALPEL BLADE NO. 24 from MARTOR is a high-quality blade made of steel. It is very sharp and has one usable cutting edge. The blade is 55.7 mm long, 10.5 mm wide and 0.40 mm thick.

SCALPEL BLADE NO. 24 is available under order number 24.50 in a magazine of 10.



PRODUCT DETAILS

Blade size (L x W)	56 x 10.8 mm
Material thickness	0.40 mm
Weight Blade	1.1 g
Basic material	Steel
Ground	Special grinding, 2-sided ground-edge
Blade facets	Single bevel edge-ground
Blade characteristics	1-cutting edge blade



PACKAGING DETAILS

Order No.	NO. 24.50
Packaging unit (PU)	10 in magazine
Size PU	66 x 25 x 18.5 mm
Weight PU	22.9 g
EAN Code PU	4002632903687
Quantity in outer pack	10 magazines
Size outer pack	188 x 69 x 27.5 mm
Weight outer pack	250 g
EAN Code outer pack	4002632955006
Customs tariff number	82141000



SCALPEL BLADE NO. 25

PRODUCT FEATURES

Technical features



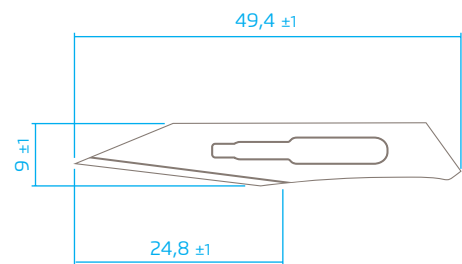
SCALPEL BLADE NO. 25 from MARTOR is a high-quality blade made of steel. It is very sharp and has one usable cutting edge. The blade is 49.4 mm long, 9 mm wide and 0.40 mm thick.

SCALPEL BLADE NO. 25 is available under order number 25.50 in a magazine of 10.



PRODUCT DETAILS

Blade size (L x W)	49.4 x 9 mm
Material thickness	0.40 mm
Weight Blade	0.7 g
Basic material	Steel
Ground	Special grinding, 2-sided ground-edge
Blade facets	Single bevel edge-ground
Blade characteristics	1-cutting edge blade



PACKAGING DETAILS

Order No.	NO. 25.50
Packaging unit (PU)	10 in magazine
Size PU	66 x 25 x 18.5 mm
Weight PU	20.0 g
EAN Code PU	4002632903717
Quantity in outer pack	10 magazines
Size outer pack	188 x 69 x 27.5 mm
Weight outer pack	210 g
EAN Code outer pack	4002632955037
Customs tariff number	82141000



Further packaging units on request.

SCALPEL BLADE NO. 36

PRODUCT FEATURES

Technical features



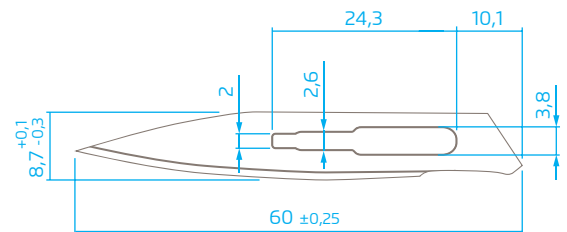
SCALPEL BLADE NO. 36 from MARTOR is a high-quality blade made of steel. It is very sharp and has one usable cutting edge. The blade is 59.5 mm long, 8.5 mm wide and 0.40 mm thick.

SCALPEL BLADE NO. 36 is available under order number 36.50 in a magazine of 10.



PRODUCT DETAILS

Blade size (L x W)	60 x 8.7 mm
Material thickness	0.40 mm
Weight Blade	0.9 g
Basic material	Steel
Ground	Special grinding, 2-sided ground-edge
Blade facets	Single bevel edge-ground
Blade characteristics	1-cutting edge blade



PACKAGING DETAILS

Order No.	NO. 36.50
Packaging unit (PU)	10 in magazine
Size PU	66 x 25 x 18.5 mm
Weight PU	21.0 g
EAN Code PU	4002632905216
Quantity in outer pack	10 magazines
Size outer pack	188 x 69 x 27.5 mm
Weight outer pack	230 g
EAN Code outer pack	4002632956539
Customs tariff number	82141000



GRAPHIC BLADE NO. 34

GRAPHIC BLADE NO. 34 from MARTOR is a high-quality blade made of steel. It is very sharp and has one usable cutting edge. The blade is 36.5 mm long, 5.7 mm wide and 0.50 mm thick.

GRAPHIC BLADE NO. 34 is available under order number 34.50 in a magazine of 10.



TOPSELLER

PRODUCT FEATURES

Technical features

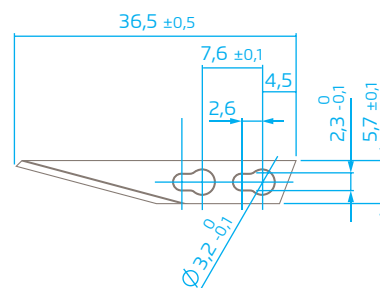


Mountable in

GRAFIX 501
TRIMMEX CUTTOGRAF
TRIMMEX SIMPLASTO

PRODUCT DETAILS

Blade size (L x W)	36.5 x 5.7 mm
Material thickness	0.50 mm
Weight Blade	0.5 g
Basic material	Steel
Ground	Special grinding, 2-sided ground-edge
Blade facets	Double bevel edge-ground
Blade characteristics	1-cutting edge blade



PACKAGING DETAILS

Order No.	NO. 34.50
Packaging unit (PU)	10 in magazine
Size PU	66 x 25 x 18.5 mm
Weight PU	17.0 g
EAN Code PU	4002632904745
Quantity in outer pack	10 magazines
Size outer pack	188 x 69 x 27.5 mm
Weight outer pack	190 g
EAN Code outer pack	4002632956065
Customs tariff number	82141000



Further packaging units on request.

GRAPHIC BLADE NO. 605

PRODUCT FEATURES

Technical features



GRAPHIC BLADE NO. 605 from MARTOR is a high-quality blade made of steel. It is very sharp and has one usable cutting edge. The blade is 32.5 mm long, 5.7 mm wide and 0.50 mm thick.

GRAPHIC BLADE NO. 605 is available under order number 605.50 in a magazine of 10.

Mountable in

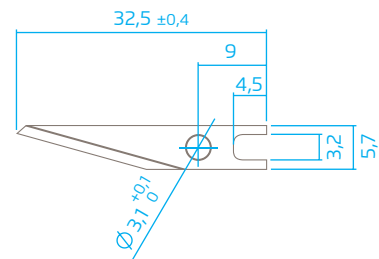
GRAFIX 501
TRIMMEX CUTTOGRAF



TOPSELLER

PRODUCT DETAILS

Blade size (L x W)	32.5 x 5.7 mm
Material thickness	0.50 mm
Weight Blade	0.4 g
Basic material	Steel
Ground	Special grinding, 2-sided ground-edge
Blade facets	Double bevel edge-ground
Blade characteristics	1-cutting edge blade



PACKAGING DETAILS

Order No.	NO. 605.50
Packaging unit (PU)	10 in magazine
Size PU	66 x 25 x 18.5 mm
Weight PU	16.5 g
EAN Code PU	4002632908200
Quantity in outer pack	10 magazines
Size outer pack	188 x 69 x 27.5 mm
Weight outer pack	185 g
EAN Code outer pack	4002632959523
Customs tariff number	82141000

Further packaging units on request.



GRAPHIC BLADE NO. 27

PRODUCT FEATURES

Technical features



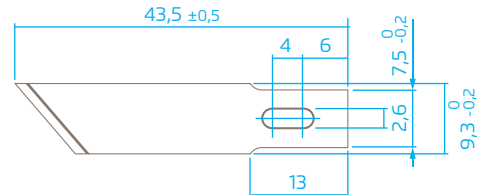
GRAPHIC BLADE NO. 27 from MARTOR is a high-quality blade made of steel. It is very sharp and has one usable cutting edge. The blade is 43.5 mm long, 9.3 mm wide and 0.63 mm thick.

GRAPHIC BLADE NO. 27 is available under order number 27.50 in a magazine of 10.



PRODUCT DETAILS

Blade size (L x W)	43.5 x 9.3 mm
Material thickness	0.63 mm
Weight Blade	1.6 g
Basic material	Steel
Ground	Special grinding, 2-sided ground-edge
Blade facets	Double bevel edge-ground
Blade characteristics	1-cutting edge blade



PACKAGING DETAILS

Order No.	NO. 27.50
Packaging unit (PU)	10 in magazine
Size PU	66 x 25 x 18.5 mm
Weight PU	27.6 g
EAN Code PU	4002632903915
Quantity in outer pack	10 magazines
Size outer pack	188 x 69 x 27.5 mm
Weight outer pack	300 g
EAN Code outer pack	4002632955235
Customs tariff number	82141000



Further packaging units on request.

GRAPHIC BLADE NO. 28

PRODUCT FEATURES

Technical features



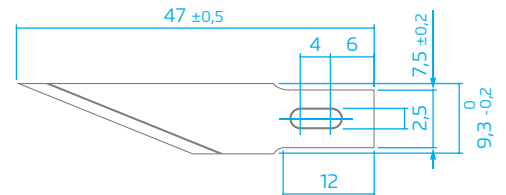
GRAPHIC BLADE NO. 28 from MARTOR is a high-quality blade made of steel. It is very sharp and has one usable cutting edge. The blade is 47 mm long, 9.3 mm wide and 0.63 mm thick.

GRAPHIC BLADE NO. 28 is available under order number 28.50 in a magazine of 10.



PRODUCT DETAILS

Blade size (L x W)	47 x 9.3 mm
Material thickness	0.63 mm
Weight Blade	1.4 g
Basic material	Steel
Ground	Special grinding, 2-sided ground-edge
Blade facets	Double bevel edge-ground
Blade characteristics	1-cutting edge blade



PACKAGING DETAILS

Order No.	NO. 28.50
Packaging unit (PU)	10 in magazine
Size PU	66 x 25 x 18.5 mm
Weight PU	25.7 g
EAN Code PU	4002632903977
Quantity in outer pack	10 magazines
Size outer pack	188 x 69 x 27.5 mm
Weight outer pack	280 g
EAN Code outer pack	4002632955297
Customs tariff number	82141000

Further packaging units on request.



GRAPHIC BLADE NO. 32

PRODUCT FEATURES

Technical features



GRAPHIC BLADE NO. 32 from MARTOR is a high-quality blade made of steel. It is very sharp and has several different cutting edges for a long service life. The blade is 51.5 mm long, 5.7 mm wide and 0.63 mm thick.

GRAPHIC BLADE NO. 32 is available under order number 32.50 in a magazine of 10.

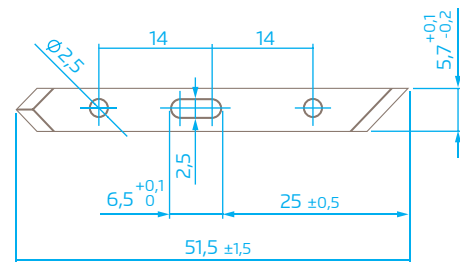
Mountable in

GRAFIX PICCOLO



PRODUCT DETAILS

Blade size (L x W)	51.5 x 5.7 mm
Material thickness	0.63 mm
Weight Blade	1.1 g
Basic material	Steel
Ground	Special grinding, 2-sided ground-edge
Blade facets	Single/Double bevel edge-ground
Blade characteristics	2-cutting edge blade



PACKAGING DETAILS

Order No.	NO. 32.50
Packaging unit (PU)	10 in magazine
Size PU	66 x 25 x 18.5 mm
Weight PU	23.3 g
EAN Code PU	4002632904424
Quantity in outer pack	10 magazines
Size outer pack	188 x 69 x 27.5 mm
Weight outer pack	250 g
EAN Code outer pack	4002632955747
Customs tariff number	82141000



GRAPHIC BLADE NO. 606

PRODUCT FEATURES

Technical features



GRAPHIC BLADE NO. 606 from MARTOR is a high-quality blade made of steel. It is very sharp and has one usable cutting edge. Rounded tips increase user safety. The blade is 31.1 mm long, 5.7 mm wide and 0.50 mm thick.

GRAPHIC BLADE NO. 606 is available under order number 606.50 in a magazine of 10.

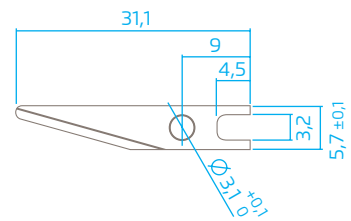
Mountable in

GRAFIX 501
TRIMMEX CUTTOGRAF



PRODUCT DETAILS

Blade size (L x W)	31.1 x 5.7 mm
Material thickness	0.50 mm
Weight Blade	0.5 g
Basic material	Steel
Ground	Special grinding, 2-sided ground-edge
Blade facets	Double bevel edge-ground
Safety feature	rounded blade tip
Blade characteristics	1-cutting edge blade



PACKAGING DETAILS

Order No.	NO. 606.50
Packaging unit (PU)	10 in magazine
Size PU	66 x 25 x 18.5 mm
Weight PU	16.5 g
EAN Code PU	4002632908231
Quantity in outer pack	10 magazines
Size outer pack	188 x 69 x 27.5 mm
Weight outer pack	18.5 g
EAN Code outer pack	4002632959554
Customs tariff number	82141000

Further packaging units on request.



GRAPHIC BLADE NO. 624

PRODUCT FEATURES

Technical features



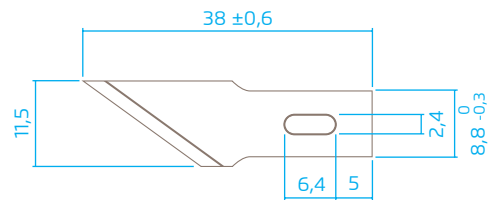
GRAPHIC BLADE NO. 624 from MARTOR is a high-quality blade made of steel. It is very sharp and has one usable cutting edge. The blade is 38 mm long, 11.5 mm wide and 0.63 mm thick.

GRAPHIC BLADE NO. 624 is available under order number 624.50 in a magazine of 10.



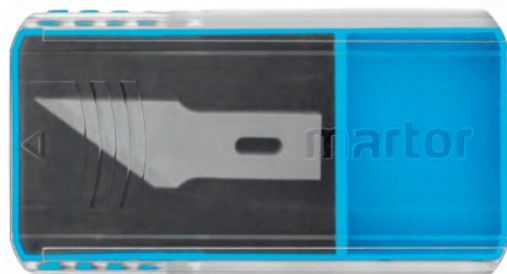
PRODUCT DETAILS

Blade size (L x W)	38 x 11.5 mm
Material thickness	0.63 mm
Weight Blade	1.3 g
Basic material	Steel
Ground	Special grinding, 2-sided ground-edge
Blade facets	Double bevel edge-ground
Blade characteristics	1-cutting edge blade



PACKAGING DETAILS

Order No.	NO. 624.50
Packaging unit (PU)	10 in magazine
Size PU	66 x 25 x 18.5 mm
Weight PU	29.0 g
EAN Code PU	4002632908538
Quantity in outer pack	10 magazines
Size outer pack	188 x 69 x 27.5 mm
Weight outer pack	310 g
EAN Code outer pack	4002632959851
Customs tariff number	82141000



GRAPHIC BLADE NO. 629

PRODUCT FEATURES

Technical features



GRAPHIC BLADE NO. 629 from MARTOR is a high-quality blade made of steel. It is very sharp and has one usable cutting edge. Rounded tips increase user safety. The blade is 34.4 mm long, 5.7 mm wide and 0.50 mm thick.

GRAPHIC BLADE NO. 629 is available under order number 629.50 in a magazine of 10.

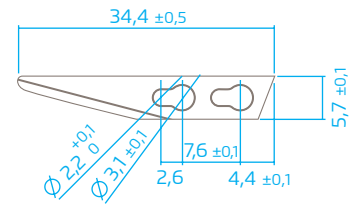
Mountable in

GRAFIX 501
TRIMMEX CUTTOGRAF
TRIMMEX SIMPLASTO



PRODUCT DETAILS

Blade size (L x W)	34.4 x 5.7 mm
Material thickness	0.50 mm
Weight Blade	0.5 g
Basic material	Steel
Ground	Special grinding, 2-sided ground-edge
Blade facets	Double bevel edge-ground
Safety feature	rounded blade tip
Blade characteristics	1-cutting edge blade



PACKAGING DETAILS

Order No.	NO. 629.50
Packaging unit (PU)	10 in magazine
Size PU	66 x 25 x 18.5 mm
Weight PU	16.7 g
EAN Code PU	4002632908613
Quantity in outer pack	10 magazines
Size outer pack	188 x 69 x 27.5 mm
Weight outer pack	190 g
EAN Code outer pack	4002632959936
Customs tariff number	82141000

Further packaging units on request.



GRAPHIC BLADE NO. 640

PRODUCT FEATURES

Technical features



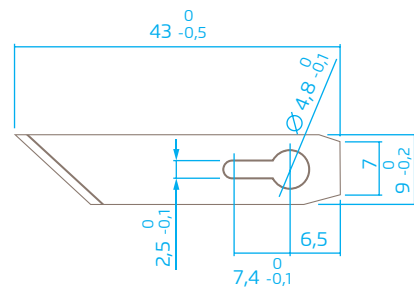
GRAPHIC BLADE NO. 640 from MARTOR is a high-quality blade made of steel. It is very sharp and has one usable cutting edge. The blade is 43 mm long, 9 mm wide and 0.63 mm thick.

GRAPHIC BLADE NO. 640 is available under order number 640.50 in a magazine of 10.



PRODUCT DETAILS

Blade size (L x W)	43 x 9 mm
Material thickness	0.63 mm
Weight Blade	1.5 g
Basic material	Steel
Ground	Special grinding, 2-sided ground-edge
Blade facets	Double bevel edge-ground
Blade characteristics	1-cutting edge blade



PACKAGING DETAILS

Order No.	NO. 640.50
Packaging unit (PU)	10 in magazine
Size PU	66 x 25 x 18.5 mm
Weight PU	26.4 g
EAN Code PU	4002632918902
Quantity in outer pack	10 magazines
Size outer pack	188 x 69 x 27.5 mm
Weight outer pack	280 g
EAN Code outer pack	4002632995224
Customs tariff number	82141000



Further packaging units on request.

GRAPHIC BLADE NO. 677

PRODUCT FEATURES

Technical features



GRAPHIC BLADE NO. 677 from MARTOR is a high-quality blade made of steel. It is very sharp and has one usable cutting edge. The blade is 37 mm long, 6.1 mm wide and 0.50 mm thick.

GRAPHIC BLADE NO. 677 is available under order number 677.50 in a magazine of 10.

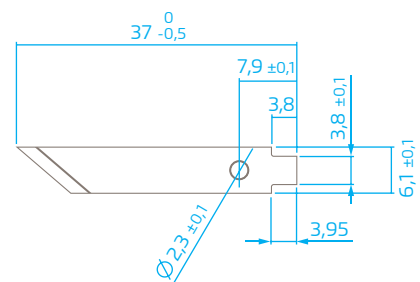
Mountable in

GRAFIX 501
TRIMMEX CUTTOGRAF



PRODUCT DETAILS

Blade size (L x W)	37 x 6.1 mm
Material thickness	0.50 mm
Weight Blade	0.7 g
Basic material	Steel
Ground	Special grinding, 2-sided ground-edge
Blade facets	Double bevel edge-ground
Blade characteristics	1-cutting edge blade



PACKAGING DETAILS

Order No.	NO. 677.50
Packaging unit (PU)	10 in magazine
Size PU	66 x 25 x 18.5 mm
Weight PU	19.2 g
EAN Code PU	4002632909467
Quantity in outer pack	10 magazines
Size outer pack	188 x 69 x 27.5 mm
Weight outer pack	210 g
EAN Code outer pack	4002632960789
Customs tariff number	82141000



GRAPHIC BLADE NO. 680

PRODUCT FEATURES

Technical features



GRAPHIC BLADE NO. 680 from MARTOR is a high-quality blade made of steel. It is very sharp and has one usable cutting edge. The blade is 37.5 mm long, 6.1 mm wide and 0.50 mm thick.

GRAPHIC BLADE NO. 680 is available under order number 680.50 in a magazine of 10.

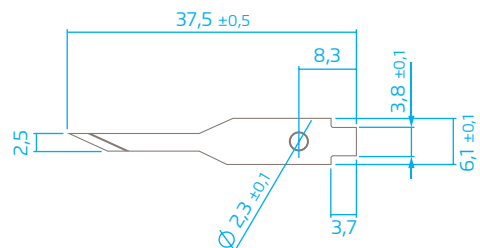
Mountable in

GRAFIX 501
TRIMMEX CUTTOGRAF



PRODUCT DETAILS

Blade size (L x W)	37.5 x 6.1 mm
Material thickness	0.50 mm
Weight Blade	0.5 g
Basic material	Steel
Ground	Special grinding, 2-sided ground-edge
Blade facets	Double bevel edge-ground
Blade characteristics	1-cutting edge blade



PACKAGING DETAILS

Order No.	NO. 680.50
Packaging unit (PU)	10 in magazine
Size PU	66 x 25 x 18.5 mm
Weight PU	17.4 g
EAN Code PU	4002632909535
Quantity in outer pack	10 magazines
Size outer pack	188 x 69 x 27.5 mm
Weight outer pack	190 g
EAN Code outer pack	4002632960857
Customs tariff number	82141000



GRAPHIC BLADE NO. 72

PRODUCT FEATURES

Technical features



GRAPHIC BLADE NO. 72 from MARTOR is a high-quality blade made of steel. It is very sharp and has one usable cutting edge. The blade is 40.3 mm long, 8.6 mm wide and 0.50 mm thick.

GRAPHIC BLADE NO. 72 is available under order number 72.50 in a magazine of 10.

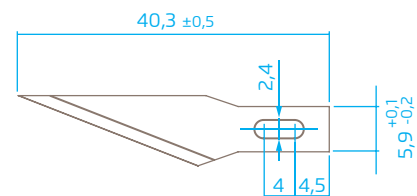
Mountable in

GRAFIX BOY
TRIMMEX CUTTOGRAF



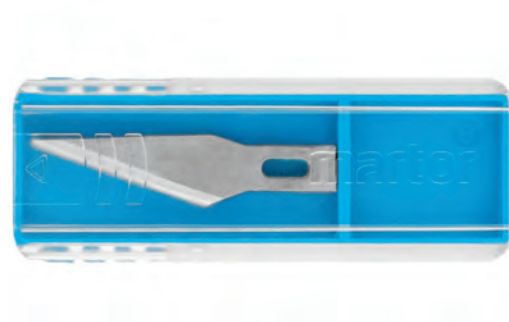
PRODUCT DETAILS

Blade size (L x W)	40.3 x 8.6 mm
Material thickness	0.50 mm
Weight Blade	0.7 g
Basic material	Steel
Ground	Special grinding, 2-sided ground-edge
Blade facets	Double bevel edge-ground
Blade characteristics	1-cutting edge blade



PACKAGING DETAILS

Order No.	NO. 72.50
Packaging unit (PU)	10 in magazine
Size PU	66 x 25 x 18.5 mm
Weight PU	19.1 g
EAN Code PU	4002632910203
Quantity in outer pack	10 magazines
Size outer pack	188 x 69 x 27.5 mm
Weight outer pack	210 g
EAN Code outer pack	4002632961526
Customs tariff number	82141000



GRAPHIC BLADE NO. 784

GRAPHIC BLADE NO. 784 from MARTOR is a high-quality blade made of steel. It is very sharp and has one usable cutting edge. The blade is 28.5 mm long, 5.7 mm wide and 0.63 mm thick.

GRAPHIC BLADE NO. 784 is available under order number 784.50 in a magazine of 10.



PRODUCT FEATURES

Technical features

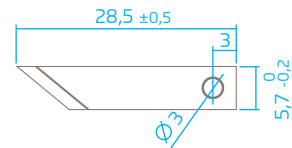


Mountable in

GRAFIX PICCOLO

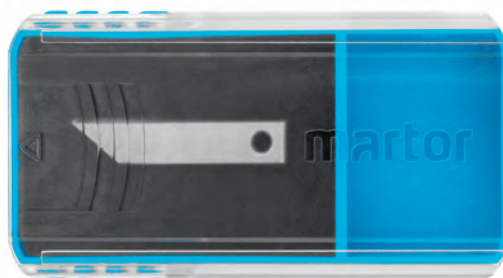
PRODUCT DETAILS

Blade size (L x W)	28.5 x 5.7 mm
Material thickness	0.63 mm
Weight Blade	0.6 g
Basic material	Steel
Ground	2-sided ground-edge
Blade facets	Double bevel edge-ground
Blade characteristics	1-cutting edge blade



PACKAGING DETAILS

Order No.	NO. 784.50
Packaging unit (PU)	10 in magazine
Size PU	66 x 25 x 18.5 mm
Weight PU	18.0 g
EAN Code PU	4002632911194
Quantity in outer pack	10 magazines
Size outer pack	188 x 69 x 27.5 mm
Weight outer pack	250 g
EAN Code outer pack	4002632962516
Customs tariff number	82141000



GRAPHIC BLADE NO. 834

PRODUCT FEATURES

Technical features



GRAPHIC BLADE NO. 834 from MARTOR is a high-quality blade made of steel with TiN-coating. It is very sharp and has one usable cutting edge. The blade is 36.5 mm long, 5.7 mm wide and 0.50 mm thick.

GRAPHIC BLADE NO. 834 is available under order number 834.65 in a safety dispenser of 100.

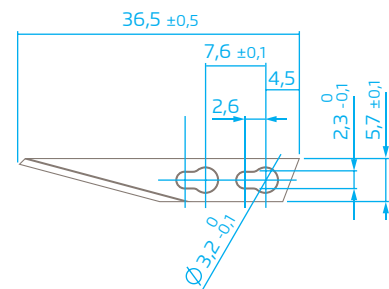
Mountable in

GRAFIX 501
TRIMMEX SIMPLASTO
TRIMMEX CUTTOGRAF



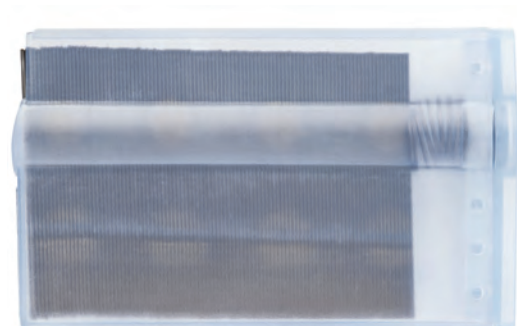
PRODUCT DETAILS

Blade size (L x W)	36.5 x 5.7 mm
Material thickness	0.50 mm
Weight Blade	0.5 g
Basic material	Steel
Refinement/ Version	Cutting edges TiN-coated
Ground	Special grinding, 2-sided ground-edge
Blade facets	Double bevel edge-ground
Blade characteristics	1-cutting edge blade



PACKAGING DETAILS

Order No.	NO. 834.65
Packaging unit (PU)	100 in safety dispenser
Size PU	67 x 41 x 12.0 mm
Weight PU	57.0 g
EAN Code PU	4002632918759
Quantity in outer pack	10 safety-dispensers
Size outer pack	117 x 42 x 82.0 mm
Weight outer pack	600 g
EAN Code outer pack	4002632970078
Customs tariff number	82141000



GRAPHIC BLADE NO. 8605

PRODUCT FEATURES

Technical features



GRAPHIC BLADE NO. 8605 from MARTOR is a high-quality blade made of steel with TiN-coating. It is very sharp and has one usable cutting edge. The blade is 32.5 mm long, 5.7 mm wide and 0.50 mm thick.

GRAPHIC BLADE NO. 8605 is available under order number 8605.65 in a safety dispenser of 100.

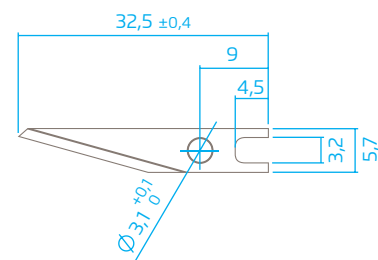
Mountable in

GRAFIX 501
TRIMMEX CUTTOGRAF



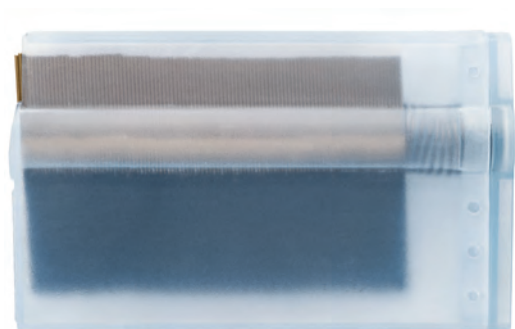
PRODUCT DETAILS

Blade size (L x W)	32.5 x 5.7 mm
Material thickness	0.50 mm
Weight Blade	0.5 g
Basic material	Steel
Refinement/ Version	TiN-coated
Ground	Special grinding, 2-sided ground-edge
Blade facets	Double bevel edge-ground
Blade characteristics	1-cutting edge blade



PACKAGING DETAILS

Order No.	NO. 8605.65
Packaging unit (PU)	100 in safety dispenser
Size PU	67 x 41 x 12.0 mm
Weight PU	54.0 g
EAN Code PU	4002632918773
Quantity in outer pack	10 safety-dispensers
Size outer pack	117 x 42 x 82.0 mm
Weight outer pack	600 g
EAN Code outer pack	4002632970092
Customs tariff number	82141000



GRAPHIC BLADE NO. 8606

PRODUCT FEATURES

Technical features



GRAPHIC BLADE NO. 8606 from MARTOR is a high-quality blade made of steel with TiN-coating. It is very sharp and has one usable cutting edge. Rounded tips increase user safety. The blade is 31.1 mm long, 5.7 mm wide and 0.50 mm thick.

GRAPHIC BLADE NO. 8606 is available under order number 8606.65 in a safety dispenser of 100.

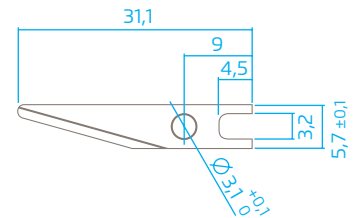
Mountable in

GRAFIX 501
TRIMMEX CUTTOGRAF



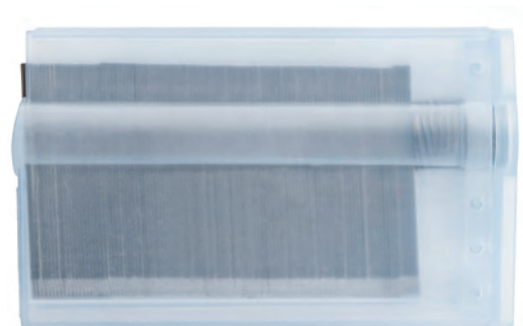
PRODUCT DETAILS

Blade size (L x W)	31.1 x 5.7 mm
Material thickness	0.50 mm
Weight Blade	0.5 g
Basic material	Steel
Refinement/ Version	Cutting edges TiN-coated
Ground	Special grinding, 2-sided ground-edge
Blade facets	Double bevel edge-ground
Safety feature	rounded blade tip
Blade characteristics	1-cutting edge blade



PACKAGING DETAILS

Order No.	NO. 8606.65
Packaging unit (PU)	100 in safety dispenser
Size PU	67 x 41 x 12.0 mm
Weight PU	53.5 g
EAN Code PU	4002632918490
Quantity in outer pack	10 safety-dispensers
Size outer pack	117 x 42 x 82.0 mm
Weight outer pack	600 g
EAN Code outer pack	4002632969812
Customs tariff number	82141000



GRAPHIC BLADE NO. 8629

GRAPHIC BLADE NO. 8629 from MARTOR is a high-quality blade made of steel with TiN-coating. It is very sharp and has one usable cutting edge. Rounded tips increase user safety. The blade is 34.4 mm long, 5.7 mm wide and 0.50 mm thick.

GRAPHIC BLADE NO. 8629 is available under order number 8629.65 in a safety dispenser of 100.



PRODUCT FEATURES

Technical features

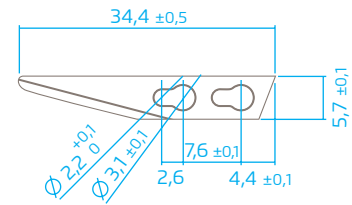


Mountable in

GRAFIX 501
TRIMMEX CUTTOGRAF
TRIMMEX SIMPLASTO

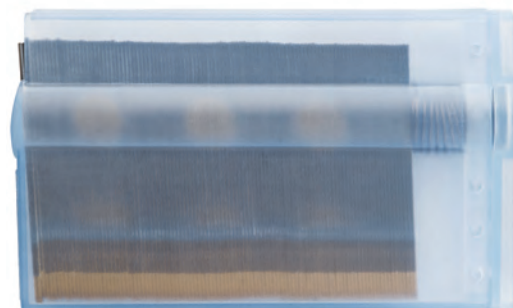
PRODUCT DETAILS

Blade size (L x W)	34.4 x 5.7 mm
Material thickness	0.50 mm
Weight Blade	0.4 g
Basic material	Steel
Refinement/ Version	TiN-coated
Ground	Special grinding, 2-sided ground-edge
Blade facets	Double bevel edge-ground
Safety feature	rounded blade tip
Blade characteristics	1-cutting edge blade



PACKAGING DETAILS

Order No.	NO. 8629.65
Packaging unit (PU)	100 in safety dispenser
Size PU	67 x 41 x 12.0 mm
Weight PU	57.0 g
EAN Code PU	4002632918766
Quantity in outer pack	10 safety-dispensers
Size outer pack	117 x 42 x 82.0 mm
Weight outer pack	600 g
EAN Code outer pack	4002632970085
Customs tariff number	82141000



GRAPHIC BLADE NO. 8784

PRODUCT FEATURES

Technical features



GRAPHIC BLADE NO. 8784 from MARTOR is a high-quality blade made of steel with TiN-coating. It is very sharp and has one usable cutting edge. The blade is 29 mm long, 5.7 mm wide and 0.63 mm thick.

GRAPHIC BLADE NO. 8784 is available under order number 8784.50 in a magazine of 10.

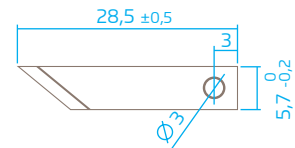
Mountable in

GRAFIX PICCOLO



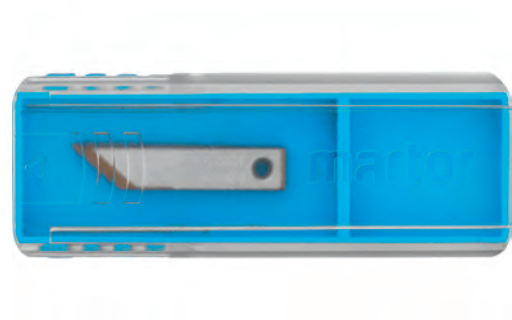
PRODUCT DETAILS

Blade size (L x W)	29 x 5.7 mm
Material thickness	0.63 mm
Weight Blade	0.6 g
Basic material	Steel
Refinement/ Version	TiN-coated
Ground	2-sided ground-edge
Blade facets	Double bevel edge-ground
Blade characteristics	1-cutting edge blade



PACKAGING DETAILS

Order No.	NO. 8784.50
Packaging unit (PU)	10 in magazine
Size PU	66 x 25 x 18.5 mm
Weight PU	18.5 g
EAN Code PU	4002632915932
Quantity in outer pack	10 magazines
Size outer pack	188 x 69 x 27.5 mm
Weight outer pack	210 g
EAN Code outer pack	4002632967252
Customs tariff number	82141000



CHISELING BLADE NO. 618

PRODUCT FEATURES

Technical features



CHISELING BLADE NO. 618 from MARTOR is a high-quality blade made of steel. It is very sharp and has one usable cutting edge. The blade is 46 mm long, 12.7 mm wide and 0.63 mm thick.

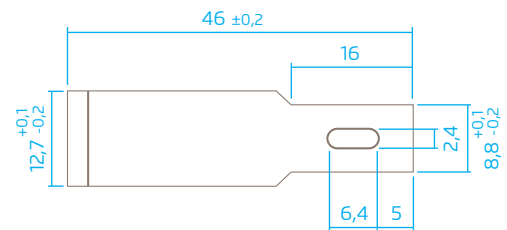
CHISELING BLADE NO. 618 is available under order number 618.50 in a magazine of 10.



TOPSELLER

PRODUCT DETAILS

Blade size (L x W)	46 x 12.7 mm
Material thickness	0.63 mm
Weight Blade	2.4 g
Basic material	Steel
Ground	Special grinding, 1-sided ground-edge
Blade facets	Single bevel edge-ground
Blade characteristics	1-cutting edge blade



PACKAGING DETAILS

Order No.	NO. 618.50
Packaging unit (PU)	10 in magazine
Size PU	66 x 25 x 18.5 mm
Weight PU	35.9 g
EAN Code PU	4002632908415
Quantity in outer pack	10 magazines
Size outer pack	188 x 69 x 27.5 mm
Weight outer pack	377 g
EAN Code outer pack	4002632984730
Customs tariff number	82141000



CONVEX BLADE NO. 623

PRODUCT FEATURES

Technical features



CONVEX BLADE NO. 623 from MARTOR is a high-quality blade made of steel. It is very sharp and has two cutting edges for a long service life. The blade is 46.5 mm long, 10.5 mm wide and 0.65 mm thick.

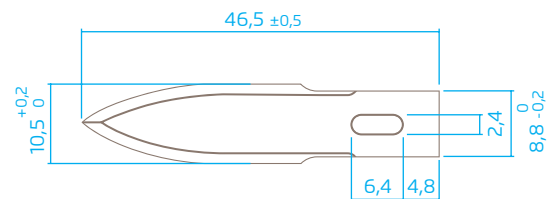
CONVEX BLADE NO. 623 is available under order number 623.50 in a magazine of 10.



TOPSELLER

PRODUCT DETAILS

Blade size (L x W)	46.5 x 10.5 mm
Material thickness	0.65 mm
Weight Blade	1.7 g
Basic material	Steel
Ground	Special grinding, 2-sided ground-edge
Blade facets	Single bevel edge-ground
Blade characteristics	2-cutting edge blade



PACKAGING DETAILS

Order No.	NO. 623.50
Packaging unit (PU)	10 in magazine
Size PU	66 x 25 x 18.5 mm
Weight PU	28.7 g
EAN Code PU	4002632908507
Quantity in outer pack	10 magazines
Size outer pack	188 x 69 x 27.5 mm
Weight outer pack	310 g
EAN Code outer pack	4002632959820
Customs tariff number	82141000



TRIMMING BLADE NO. 674

TRIMMING BLADE NO. 674 from MARTOR is a high-quality blade made of stainless steel. It is 30.5 mm long, 8.8 mm wide and 0.50 mm thick. The oil used for the blade is food safe.

TRIMMING BLADE NO. 674 is available under order number 674.50 in a magazine of 10.



TOPSELLER

PRODUCT FEATURES

Technical features

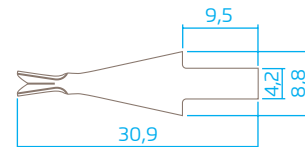
INOX

Mountable in

GRAFIX 501
GRAFIX PICCOLO

PRODUCT DETAILS

Blade size (L x W)	30.5 x 8.8 mm
Material thickness	0.50 mm
Weight Blade	0.6 g
Basic material	Steel
Refinement/ Version	stainless steel
Ground	Special grinding
Blade characteristics	1-cutting edge blade



PACKAGING DETAILS

Order No.	NO. 674.50
Packaging unit (PU)	10 in magazine
Size PU	66 x 25 x 18.5 mm
Weight PU	17.4 g
EAN Code PU	4002632921391
Quantity in outer pack	10 magazines
Size outer pack	188 x 69 x 27.5 mm
Weight outer pack	200 g
EAN Code outer pack	4002632972713
Customs tariff number	82055980



CONVEX BLADE NO. 29

PRODUCT FEATURES

Technical features



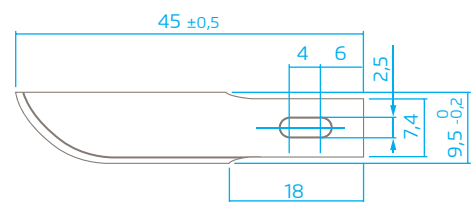
CONVEX BLADE NO. 29 from MARTOR is a high-quality blade made of steel. It is very sharp and has one usable cutting edge. The blade is 46 mm long, 9.5 mm wide and 0.65 mm thick.

CONVEX BLADE NO. 29 is available under order number 29.50 in a magazine of 10.



PRODUCT DETAILS

Blade size (L x W)	45 x 9.5 mm
Material thickness	0.65 mm
Weight Blade	1.6 g
Basic material	Steel
Ground	Special grinding, 2-sided ground-edge
Blade facets	Single bevel edge-ground
Blade characteristics	1-cutting edge blade



PACKAGING DETAILS

Order No.	NO. 29.50
Packaging unit (PU)	10 in magazine
Size PU	66 x 25 x 18.5 mm
Weight PU	28.3 g
EAN Code PU	4002632904035
Quantity in outer pack	10 magazines
Size outer pack	188 x 69 x 27.5 mm
Weight outer pack	300 g
EAN Code outer pack	4002632955358
Customs tariff number	82141000



CONVEX BLADE NO. 33

CONVEX BLADE NO. 33 from MARTOR is a high-quality blade made of steel. It is very sharp and has one usable cutting edge. The blade is 40 mm long, 8.5 mm wide and 0.50 mm thick.

CONVEX BLADE NO. 33 is available under order number 33.50 in a magazine of 10.



PRODUCT FEATURES

Technical features

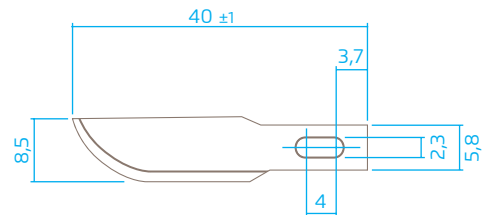


Mountable in

GRAFIX BOY
TRIMMEX CUTTOGRAF

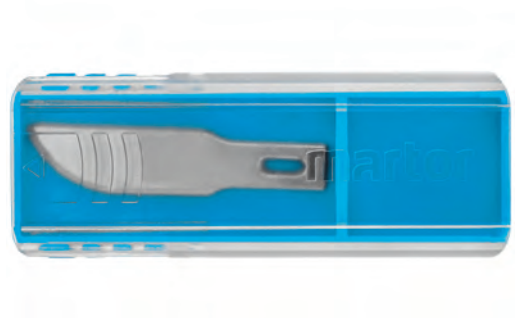
PRODUCT DETAILS

Blade size (L x W)	40 x 8.5 mm
Material thickness	0.50 mm
Weight Blade	0.9 g
Basic material	Steel
Ground	Special grinding, 2-sided ground-edge
Blade facets	Single bevel edge-ground
Blade characteristics	1-cutting edge blade



PACKAGING DETAILS

Order No.	NO. 33.50
Packaging unit (PU)	10 in magazine
Size PU	66 x 25 x 18.5 mm
Weight PU	21.8 g
EAN Code PU	4002632904585
Quantity in outer pack	10 magazines
Size outer pack	188 x 69 x 27.5 mm
Weight outer pack	240 g
EAN Code outer pack	4002632955907
Customs tariff number	82141000



NEEDLE BLADE NO. 673

PRODUCT FEATURES

Mountable in

GRAFIX 501

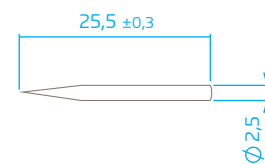
NEEDLE BLADE NO. 673 from MARTOR is a high-quality blade made of steel. It is 25 mm long, 2.5 mm wide and 2.50 mm thick.

NEEDLE BLADE NO. 673 is available under order number 673.50 in a magazine of 10.



PRODUCT DETAILS

Blade size (L x W)	25 x 2.5 mm
Material thickness	2.50 mm
Weight Blade	0.8 g
Basic material	Steel
Ground	Special grinding
Blade characteristics	1-cutting edge blade



PACKAGING DETAILS

Order No.	NO. 673.50
Packaging unit (PU)	10 in magazine
Size PU	66 x 25 x 18.5 mm
Weight PU	20.5 g
EAN Code PU	4002632909399
Quantity in outer pack	10 magazines
Size outer pack	188 x 69 x 27.5 mm
Weight outer pack	220 g
EAN Code outer pack	4002632960710
Customs tariff number	82141000



CONVEX BLADE NO. 679

CONVEX BLADE NO. 679 from MARTOR is a high-quality blade made of steel. It is very sharp and has one usable cutting edge. The blade is 32 mm long, 7 mm wide and 0.50 mm thick.

CONVEX BLADE NO. 679 is available under order number 679.50 in a magazine of 10.



PRODUCT FEATURES

Technical features

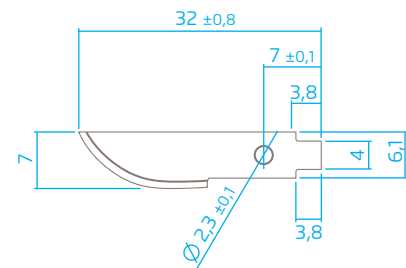


Mountable in

GRAFIX 501
TRIMMEX CUTTOGRAF

PRODUCT DETAILS

Blade size (L x W)	32 x 7 mm
Material thickness	0.50 mm
Weight Blade	0.7 g
Basic material	Steel
Ground	Special grinding, 2-sided ground-edge
Blade facets	Single bevel edge-ground
Blade characteristics	1-cutting edge blade



PACKAGING DETAILS

Order No.	NO. 679.50
Packaging unit (PU)	10 in magazine
Size PU	66 x 25 x 18.5 mm
Weight PU	19.0 g
EAN Code PU	4002632909481
Quantity in outer pack	10 magazines
Size outer pack	188 x 69 x 27.5 mm
Weight outer pack	210 g
EAN Code outer pack	4002632960802
Customs tariff number	82141000



360° SWIVEL BLADE NO. 756

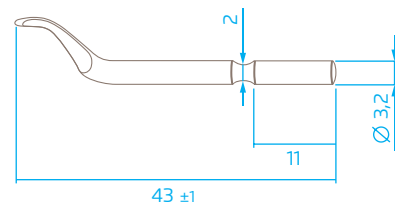
360° SWIVEL BLADE NO. 756 from MARTOR is a high-quality blade made of steel. It is very sharp and has two cutting edges for a long service life. The blade is 17.1 mm long, 19 mm wide and 0.50 mm thick.

POINTED BLADE NO. 756 is available under order number 756.50 in a magazine of 10.



PRODUCT DETAILS

Blade size (L x W)	43 x 3.2 mm
Material thickness	3.20 mm
Weight Blade	2.2 g
Basic material	Steel
Blade characteristics	1-cutting edge blade



PACKAGING DETAILS

Order No.	NO. 756.50
Packaging unit (PU)	10 in magazine
Size PU	66 x 36 x 16.5 mm
Weight PU	37.3 g
EAN Code PU	4002632921438
Quantity in outer pack	10 magazines
Size outer pack	166 x 69 x 38.0 mm
Weight outer pack	400 g
EAN Code outer pack	4002632972751
Customs tariff number	82055980



360° SWIVEL BLADE NO. 791

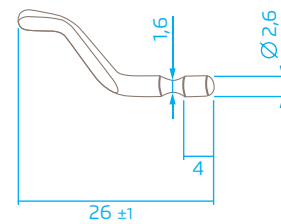
360° SWIVEL BLADE NO. 791 from MARTOR is a high-quality blade made of steel for deburring. It is 26 mm long, 2.6 mm wide and 2.60 mm thick.

360° SWIVEL BLADE NO. 791 is available under order number 791.50 in a magazine of 10.



PRODUCT DETAILS

Blade size (L x W)	26 x 2.6 mm
Material thickness	2.60 mm
Weight Blade	0.8 g
Basic material	Steel
Blade characteristics	1-cutting edge blade



PACKAGING DETAILS

Order No.	NO. 791.50
Packaging unit (PU)	10 in magazine
Size PU	66 x 25 x 18.5 mm
Weight PU	20.0 g
EAN Code PU	4002632921469
Quantity in outer pack	10 magazines
Size outer pack	188 x 69 x 27.5 mm
Weight outer pack	220 g
EAN Code outer pack	4002632972782
Customs tariff number	82055980



360° SWIVEL BLADE NO. 795

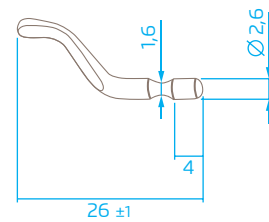
360° SWIVEL BLADE NO. 795 from MARTOR is a high-quality blade made of steel for deburring. It is 24 mm long, 2.6 mm wide and 2.60 mm thick.

360° SWIVEL BLADE NO. 795 is available under order number 795.50 in a magazine of 10.



PRODUCT DETAILS

Blade size (L x W)	24 x 2.6 mm
Material thickness	2.60 mm
Weight Blade	0.9 g
Basic material	Steel
Blade characteristics	1-cutting edge blade



PACKAGING DETAILS

Order No.	NO. 795.50
Packaging unit (PU)	10 in magazine
Size PU	66 x 25 x 18.5 mm
Weight PU	20.8 g
EAN Code PU	4002632921476
Quantity in outer pack	10 magazines
Size outer pack	188 x 69 x 27.5 mm
Weight outer pack	230 g
EAN Code outer pack	4002632972799
Customs tariff number	82055980



360° SWIVEL BLADE NO. 797

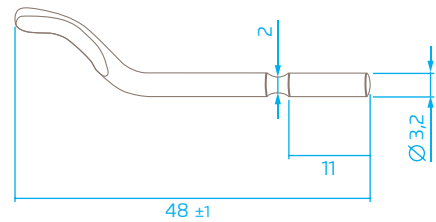
360° SWIVEL BLADE NO. 797 from MARTOR is a high-quality blade made of steel for deburring. It is 47 mm long, 3.2 mm wide and 3.20 mm thick.

360° SWIVEL BLADE NO. 797 is available under order number 797.50 in a magazine of 10.



PRODUCT DETAILS

Blade size (L x W)	47 x 3.2 mm
Material thickness	3.20 mm
Weight Blade	2.6 g
Basic material	Steel
Blade characteristics	1-cutting edge blade



PACKAGING DETAILS

Order No.	NO. 797.50
Packaging unit (PU)	10 in magazine
Size PU	66 x 36 x 16.5 mm
Weight PU	41.0 g
EAN Code PU	4002632921483
Quantity in outer pack	10 magazines
Size outer pack	166 x 69 x 38.0 mm
Weight outer pack	430 g
EAN Code outer pack	4002632972805
Customs tariff number	82055980



360° SWIVEL BLADE NO. 798

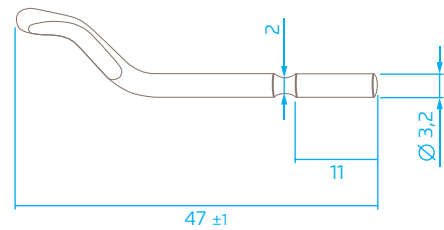
360° SWIVEL BLADE NO. 798 from MARTOR is a high-quality blade made of steel for deburring. It is 48 mm long, 3.2 mm wide and 3.20 mm thick.

360° SWIVEL BLADE NO. 798 is available under order number 798.50 in a magazine of 10.



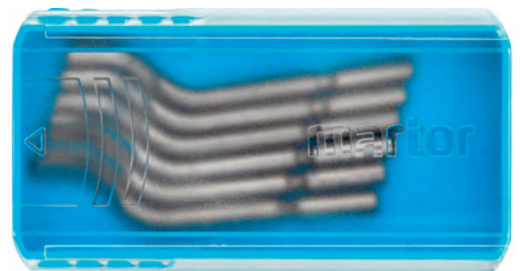
PRODUCT DETAILS

Blade size (L x W)	48 x 3.2 mm
Material thickness	3.20 mm
Weight Blade	2.7 g
Basic material	Steel
Blade characteristics	1-cutting edge blade



PACKAGING DETAILS

Order No.	NO. 798.50
Packaging unit (PU)	10 in magazine
Size PU	66 x 36 x 16.5 mm
Weight PU	42.0 g
EAN Code PU	4002632921490
Quantity in outer pack	10 magazines
Size outer pack	166 x 69 x 38.0 mm
Weight outer pack	400 g
EAN Code outer pack	4002632972812
Customs tariff number	82055980



SECUMAX BLADE NO. 3550

SECUMAX BLADE NO. 3550 from MARTOR is a high-quality blade head made of steel and plastic. It is very sharp and has two cutting edges that can be used one after the other for a long service life. The blade is 38.9 mm long, 23.86 mm wide and 0.30 mm thick.

SECUMAX BLADE NO. 3550 is available under order number 3550.20 in a blade box of 10.



TOPSELLER

PRODUCT FEATURES

Technical features

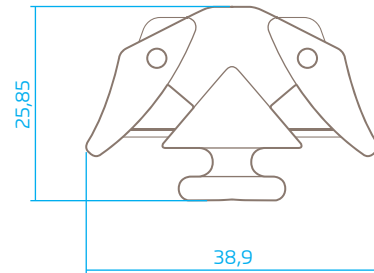


Mountable in

SECUMAX 350

PRODUCT DETAILS

Blade size (L x W)	38.9 x 25.85 mm
Material thickness	0.30 mm
Weight Blade	2.3 g
Basic material	Steel
Blade characteristics	2-cutting edge blade



PACKAGING DETAILS

Order No.	NO. 3550.20
Packaging unit (PU)	10 in box
Size PU	58.5 x 20 x 42.0 mm
Weight PU	28.8 g
EAN Code PU	4002632921162
Quantity in outer pack	10 boxes
Size outer pack	88 x 64 x 110.0 mm
Weight outer pack	320.3 g
EAN Code outer pack	4002632972485
Customs tariff number	82119400



SECUMAX BLADE NO. 3448

PRODUCT FEATURES

Technical features



Mountable in

SECUMAX 350
SECUMAX 350 SE

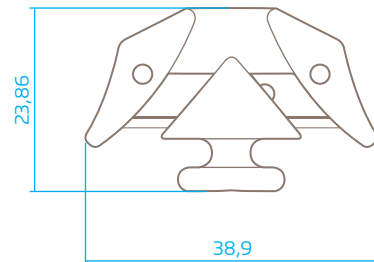
SECUMAX BLADE NO. 3448 from MARTOR is a high-quality and particularly robust blade head made of steel and plastic. It is very sharp and has two cutting edges that can be used one after the other for a long service life. The blade is 38.9 mm long, 23.7 mm wide and 0.50 mm thick.

SECUMAX BLADE NO. 3448 is available under order number 3448.20 in a blade box of 10.



PRODUCT DETAILS

Blade size (L x W)	38.9 x 23.7 mm
Material thickness	0.50 mm
Weight Blade	2.2 g
Basic material	Steel
Blade characteristics	2-cutting edge blade



PACKAGING DETAILS

Order No.	NO. 3448.20
Packaging unit (PU)	10 in box
Size PU	58.5 x 20 x 43.0 mm
Weight PU	28.5 g
EAN Code PU	4002632803765
Quantity in outer pack	10 boxes
Size outer pack	88 x 64 x 110.0 mm
Weight outer pack	320.3 g
EAN Code outer pack	4002632853760
Customs tariff number	82119400



POINTED BLADE NO. 692

PRODUCT FEATURES

Technical features



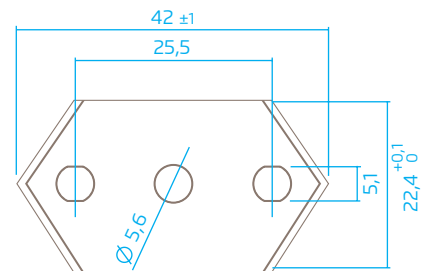
POINTED BLADE NO. 692 from MARTOR is a high-quality blade made of steel. It is very sharp and has four cutting edges that can be used one after the other for an extra long service life. The blade is 42 mm long, 22.4 mm wide and 0.20 mm thick.

POINTED BLADE NO. 692 is available under order number 692.60 in a transparent pack of 10.



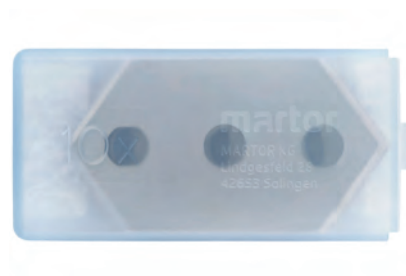
PRODUCT DETAILS

Blade size (L x W)	42 x 22.4 mm
Material thickness	0.20 mm
Weight Blade	1.0 g
Basic material	Steel
Ground	2-sided ground-edge
Blade facets	Single bevel edge-ground
Blade characteristics	4-cutting edge blade



PACKAGING DETAILS

Order No.	NO. 692.60
Packaging unit (PU)	10 in transparent pack
Size PU	52.6 x 25.5 x 9.5 mm
Weight PU	13.5 g
EAN Code PU	4002632801693
Quantity in outer pack	10 transparent packs
Size outer pack	88 x 28 x 64.0 mm
Weight outer pack	150 g
EAN Code outer pack	4002632851698
Customs tariff number	82119400



POINTED BLADE NO. 760

PRODUCT FEATURES

Technical features



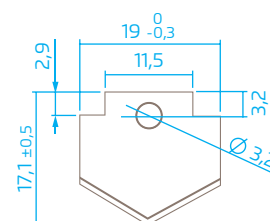
POINTED BLADE NO. 760 from MARTOR is a high-quality blade made of steel. It is very sharp and has two cutting edges for a long service life. The blade is 17.1 mm long, 19 mm wide and 0.50 mm thick.

POINTED BLADE NO. 760 is available under order number 760.50 in a magazine of 10.



PRODUCT DETAILS

Blade size (L x W)	17.1 x 19 mm
Material thickness	0.50 mm
Weight Blade	0.9 g
Basic material	Steel
Ground	Special grinding, 2-sided ground-edge
Blade facets	Single bevel edge-ground
Blade characteristics	2-cutting edge blade



PACKAGING DETAILS

Order No.	NO. 760.50
Packaging unit (PU)	10 in magazine
Size PU	66 x 36 x 16.5 mm
Weight PU	25.4 g
EAN Code PU	4002632910739
Quantity in outer pack	10 magazines
Size outer pack	166 x 69 x 38.0 mm
Weight outer pack	280 g
EAN Code outer pack	4002632962059
Customs tariff number	82119400



POINTED BLADE NO. 761

PRODUCT FEATURES

Technical features



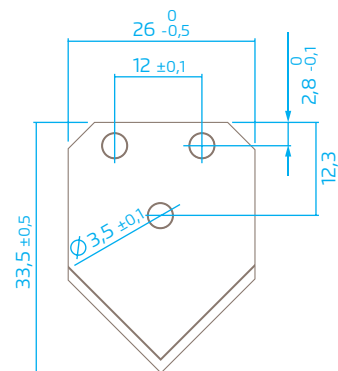
POINTED BLADE NO. 761 from MARTOR is a high-quality blade made of steel. It is very sharp and has two cutting edges for a long service life. The blade is 33 mm long, 26 mm wide and 0.80 mm thick.

POINTED BLADE NO. 761 is available under order number 761.08 as 1 piece.



PRODUCT DETAILS

Blade size (L x W)	33 x 26 mm
Material thickness	0.80 mm
Weight Blade	3.8 g
Basic material	Steel
Ground	Special grinding, 2-sided ground-edge
Blade facets	Single bevel edge-ground
Blade characteristics	2-cutting edge blade



PACKAGING DETAILS

Order No.	NO. 761.08
Packaging unit (PU)	1 blade (loose)
Size PU	33 x 26 x 0.80 mm
Weight PU	3.8 g
EAN Code PU	4002632910746
Quantity in outer pack	300 Klängen
Size outer pack	170 x 82 x 47.0 mm
Weight outer pack	200 g
EAN Code outer pack	4002632962066
Customs tariff number	82119400











THE PICTOGRAM LEGEND.

BLADE PICTOGRAMS AT A GLANCE.

Our pictogram system helps you to find the optimal product for your needs. The icons provide information such as the number of usable cutting edges, cutting edge type and chemical properties.

TECHNICAL FEATURES

All blade details

 2-cutting edge blade	 4-cutting edge blade	 Stainless	 TiN-coated
 Rounded-tip trapezoid blade	 Rounded-tip hook blade	 Rounded-tip industrial blade	 Rounded-tip scalpel blade
 Rounded special blade	 Wide ground-edge	 Serrated edge	 1-sided ground-edge
 2-sided ground-edge	 Ceramic	 Acid-resistant	 Non-magnetic
 Non-conductive	 Chemically inert	 Non-oiled	 Non-rusting

OUR ADDITIONAL MEDIA: THE KNIFE TO MATCH THE BLADE.

The capabilities of our quality blades are fully revealed when installed into a MARTOR handle. Handle and blade are the basis for successful cutting. Our catalogues and brochures present our safety knives and other cutting tools. They also inform you which knife requires which blade for efficient and safe cutting based on the knife's handle.

SAFETY KNIVES



- Catalogue with all MARTOR safety knives and scissors
- 152 pages
- Including all product variants, mountable blades plus accessories
- With information about the company and brand as well as a large service section



CUTTERS AND SPECIALITY KNIVES



- Catalogue with all MARTOR cutters and special knives (scrapers, scalpels and deburring tools)
- 54 pages
- Including all product variants, mountable blades plus accessories



PROMOTIONAL KNIVES



- Catalogue with all printable MARTOR safety knives, cutters and special knives
- 77 pages
- Including all printable product variants
- With information on the benefits of promotional knives plus a service section



MDP KNIVES



- Brochure with all metal and X-ray detectable MARTOR safety knives
- 16 pages
- Including mountable stainless blades
- With information on the benefits of MDP knives plus a service section



APPLICATION CATALOGUE



- Brochure with the most common cutting applications in logistics and production and the appropriate MARTOR safety knives
- 20 pages
- Including mountable blades
- Information on the benefits of safety knives and a customer service section



OUR WEBSITE. WITH CUSTOMER-ORIENTED SERVICES.

When looking for the best possible product there is nothing like personal assistance, which is one of our strengths. Nevertheless, we would like to satisfy your needs in the best possible way also in other areas – e.g. on our website www.martor.com. Where you can find functionalities, such as the product filter, providing you with an even better overview of our cutting solutions.



Filter all

Which material do you want to cut? And what technical properties should your safety knives have? You can access a selection of suitable products quickly and comfortably through these and many other filter functions. A suitable supplier can be found, for example, via our new distributor search.



WWW.MARTOR.COM



Compare all

No doubt there are cutting tools in our product range that are similar. So it's worth it to take a second view. With the functionality to compare products, you can select up to four knives and blades and check them against each other. Discover the product details to find the most suitable solution.

TABLE OF CONTENTS. ALPHABETICALLY.

Product name	Order number	Page
360° SWIVEL BLADE NO. 756	NO. 756.50	135
360° SWIVEL BLADE NO. 791	NO. 791.50	136
360° SWIVEL BLADE NO. 795	NO. 795.50	137
360° SWIVEL BLADE NO. 797	NO. 797.50	138
360° SWIVEL BLADE NO. 798	NO. 798.50	139
SNAP-OFF-BLADE NO. 76	NO. 76.60	87
SNAP-OFF-BLADE NO. 77	NO. 77.60	86
REINFORCED RAZOR BLADE NO. 1044	NO. 1044.29	40
REINFORCED RAZOR BLADE NO. 144	NO. 144.50	44
REINFORCED RAZOR BLADE NO. 44	NO. 44.50	36
REINFORCED RAZOR BLADE NO. 60044	NO. 60044.50	63
FIBERGLASS BLADE NO. 712	NO. 712.59	67
GLASS CLEANING BLADE NO. 16412	NO. 16412.78	46
GRAPHIC BLADE NO. 27	NO. 27.50	112
GRAPHIC BLADE NO. 28	NO. 28.50	113
GRAPHIC BLADE NO. 32	NO. 32.50	114
GRAPHIC BLADE NO. 34	NO. 34.50	110
GRAPHIC BLADE NO. 605	NO. 605.50	111
GRAPHIC BLADE NO. 606	NO. 606.50	115
GRAPHIC BLADE NO. 624	NO. 624.50	116
GRAPHIC BLADE NO. 629	NO. 629.50	117
GRAPHIC BLADE NO. 640	NO. 640.50	118
GRAPHIC BLADE NO. 677	NO. 677.50	119
GRAPHIC BLADE NO. 680	NO. 680.50	120
GRAPHIC BLADE NO. 72	NO. 72.50	121
GRAPHIC BLADE NO. 784	NO. 784.50	122
GRAPHIC BLADE NO. 834	NO. 834.65	123
GRAPHIC BLADE NO. 8605	NO. 8605.65	124
GRAPHIC BLADE NO. 8606	NO. 8606.65	125
GRAPHIC BLADE NO. 8629	NO. 8629.65	126
GRAPHIC BLADE NO. 8784	NO. 8784.50	127
LARGE SPECIAL PURPOSE BLADE NO. 104	NO. 104.60	89
LARGE SPECIAL PURPOSE BLADE NO. 105	NO. 105.62	90
LARGE SPECIAL PURPOSE BLADE NO. 106	NO. 106.62	91
LARGE SPECIAL PURPOSE BLADE NO. 107	NO. 107.62	92
LARGE SPECIAL PURPOSE BLADE NO. 112	NO. 112.62	93
LARGE SPECIAL PURPOSE BLADE NO. 115	NO. 115.62	94
LARGE SPECIAL PURPOSE BLADE NO. 160060	NO. 160060.62	95
LARGE SPECIAL PURPOSE BLADE NO. 702	NO. 702.04	96
LARGE SPECIAL PURPOSE BLADE NO. 779	NO. 779.40	97
HOOK BLADE NO. 56	NO. 56.70	29
HOOK BLADE NO. 5634	NO. 5634.70	30
HOOK BLADE NO. 60	NO. 60.70	31
HOOK BLADE NO. 98	NO. 98.70	28
INDUSTRIAL BLADE NO. 13510	NO. 13510.39	41
INDUSTRIAL BLADE NO. 13615	NO. 13615.35	42
INDUSTRIAL BLADE NO. 13730	NO. 13730.60	43

Product name	Order number	Page
INDUSTRIAL BLADE NO. 145	NO. 145.60	45
INDUSTRIAL BLADE NO. 192	NO. 192.66	47
INDUSTRIAL BLADE NO. 192043	NO. 192043.66	48
INDUSTRIAL BLADE NO. 35010	NO. 35010.50	50
INDUSTRIAL BLADE NO. 35020	NO. 35020.50	51
INDUSTRIAL BLADE NO. 35030	NO. 35030.50	52
INDUSTRIAL BLADE NO. 36010	NO. 36010.50	53
INDUSTRIAL BLADE NO. 36013	NO. 36013.39	54
INDUSTRIAL BLADE NO. 36015	NO. 36015.39	55
INDUSTRIAL BLADE NO. 36020	NO. 36020.50	56
INDUSTRIAL BLADE NO. 36030	NO. 36030.50	57
INDUSTRIAL BLADE NO. 37010	NO. 37010.50	58
INDUSTRIAL BLADE NO. 37020	NO. 37020.50	59
INDUSTRIAL BLADE NO. 37030	NO. 37030.50	60
INDUSTRIAL BLADE NO. 37040	NO. 37040.60	61
INDUSTRIAL BLADE NO. 37044	NO. 37044.60	62
INDUSTRIAL BLADE NO. 45	NO. 45.60	37
INDUSTRIAL BLADE NO. 60092	NO. 60092.66	64
INDUSTRIAL BLADE NO. 65	NO. 65.83	65
INDUSTRIAL BLADE NO. 69040	NO. 69040.50	66
INDUSTRIAL BLADE NO. 81	NO. 81.32	68
INDUSTRIAL BLADE NO. 83615	NO. 83615.35	69
INDUSTRIAL BLADE NO. 83630	NO. 83630.35	70
INDUSTRIAL BLADE NO. 83715	NO. 83715.31	71
INDUSTRIAL BLADE NO. 83730	NO. 83730.35	72
INDUSTRIAL BLADE NO. 869	NO. 869.60	73
INDUSTRIAL BLADE NO. 87	NO. 87.60	74
INDUSTRIAL BLADE NO. 92	NO. 92.66	38
INDUSTRIAL BLADE NO. 92043	NO. 92043.66	39
INJECTOR BLADE NO. 889	NO. 889.57	75
INJECTOR BLADE NO. 89	NO. 89.57	76
CERAMIC BLADE NO. 170	NO. 170.54	35
CERAMIC BLADE NO. 60099C	NO. 1760099.25	32
CERAMIC BLADE NO. 65232C	NO. 1765232.25	33
CERAMIC BLADE NO. 92C	NO. 1792.25	34
SMALL SPECIAL PURPOSE BLADE NO. 643	NO. 643.50	88
CONVEX BLADE NO. 29	NO. 29.50	131
CONVEX BLADE NO. 33	NO. 33.50	132
CONVEX BLADE NO. 623	NO. 623.50	129
CONVEX BLADE NO. 679	NO. 679.50	134
CHISELING BLADE NO. 618	NO. 618.50	128
NEEDLE BLADE NO. 673	NO. 673.50	133
SCRAPER BLADE NO. 196	NO. 196.60	49
SCRAPER BLADE NO. 96	NO. 96.60	77
SECUMAX BLADE NO. 3448	NO. 3448.20	141
SECUMAX BLADE NO. 3550	NO. 3550.20	140
SCALPEL BLADE NO. 10	NO. 10.50	99

TABLE OF CONTENTS.

ALPHABETICALLY.

Product name	Order number	Page
SCALPEL BLADE NO. 1025	NO. 1025.50	100
SCALPEL BLADE NO. 1031	NO. 1031.50	101
SCALPEL BLADE NO. 11	NO. 11.50	98
SCALPEL BLADE NO. 12	NO. 12.50	102
SCALPEL BLADE NO. 13	NO. 13.50	103
SCALPEL BLADE NO. 14	NO. 14.50	104
SCALPEL BLADE NO. 21	NO. 21.50	105
SCALPEL BLADE NO. 23	NO. 23.50	106
SCALPEL BLADE NO. 24	NO. 24.50	107
SCALPEL BLADE NO. 25	NO. 25.50	108
SCALPEL BLADE NO. 36	NO. 36.50	109
POINTED BLADE NO. 692	NO. 692.60	142
POINTED BLADE NO. 760	NO. 760.50	143
POINTED BLADE NO. 761	NO. 761.08	144
STYROPOR BLADE NO. 179	NO. 179.60	80
STYROPOR BLADE NO. 17940	NO. 17940.60	81
STYROPOR BLADE NO. 379	NO. 379.60	82
STYROPOR BLADE NO. 79	NO. 79.60	78
STYROPOR BLADE NO. 7940	NO. 7940.60	79
STYROPOR BLADE NO. 86	NO. 86.60	84
STYROPOR BLADE NO. 879	NO. 879.60	83
TRAPEZOID BLADE NO. 142	NO. 142.70	9
TRAPEZOID BLADE NO. 160099	NO. 160099.70	10
TRAPEZOID BLADE NO. 199	NO. 199.70	4
TRAPEZOID BLADE NO. 42045	NO. 42045.50	11
TRAPEZOID BLADE NO. 42063	NO. 42063.70	12
TRAPEZOID BLADE NO. 51	NO. 51.70	13
TRAPEZOID BLADE NO. 52	NO. 52.70	14
TRAPEZOID BLADE NO. 5232	NO. 5232.70	5
TRAPEZOID BLADE NO. 5233	NO. 5233.70	15
TRAPEZOID BLADE NO. 54	NO. 54.42	16
TRAPEZOID BLADE NO. 54065	NO. 54065.70	17
TRAPEZOID BLADE NO. 60095	NO. 60095.70	18
TRAPEZOID BLADE NO. 60099	NO. 60099.70	6
TRAPEZOID BLADE NO. 61	NO. 61.70	19
TRAPEZOID BLADE NO. 610	NO. 610.70	20
TRAPEZOID BLADE NO. 61329	NO. 61329.50	21
TRAPEZOID BLADE NO. 65232	NO. 65232.70	7
TRAPEZOID BLADE NO. 78	NO. 78.50	22
TRAPEZOID BLADE NO. 852	NO. 852.42	23
TRAPEZOID BLADE NO. 85232	NO. 85232.70	24
TRAPEZOID BLADE NO. 85233	NO. 85233.70	25
TRAPEZOID BLADE NO. 8852	NO. 8852.70	26
TRAPEZOID BLADE NO. 99	NO. 99.70	8
TRIMMING BLADE NO. 674	NO. 674.50	130

TABLE OF CONTENTS.

NUMERICAL.

Order number	Product name	Page
NO. 10.50	SCALPEL BLADE NO. 10	99
NO. 1025.50	SCALPEL BLADE NO. 1025	100
NO. 1031.50	SCALPEL BLADE NO. 1031	101
NO. 104.60	LARGE SPECIAL PURPOSE BLADE NO. 104	89
NO. 1044.29	REINFORCED RAZOR BLADE NO. 1044	40
NO. 105.62	LARGE SPECIAL PURPOSE BLADE NO. 105	90
NO. 106.62	LARGE SPECIAL PURPOSE BLADE NO. 106	91
NO. 107.62	LARGE SPECIAL PURPOSE BLADE NO. 107	92
NO. 11.50	SCALPEL BLADE NO. 11	98
NO. 112.62	LARGE SPECIAL PURPOSE BLADE NO. 112	93
NO. 115.62	LARGE SPECIAL PURPOSE BLADE NO. 115	94
NO. 12.50	SCALPEL BLADE NO. 12	102
NO. 13.50	SCALPEL BLADE NO. 13	103
NO. 13510.39	INDUSTRIAL BLADE NO. 13510	41
NO. 13615.35	INDUSTRIAL BLADE NO. 13615	42
NO. 13730.60	INDUSTRIAL BLADE NO. 13730	43
NO. 14.50	SCALPEL BLADE NO. 14	104
NO. 142.70	TRAPEZOID BLADE NO. 142	9
NO. 144.50	REINFORCED RAZOR BLADE NO. 144	44
NO. 145.60	INDUSTRIAL BLADE NO. 145	45
NO. 160060.62	LARGE SPECIAL PURPOSE BLADE NO. 160060	95
NO. 160099.70	TRAPEZOID BLADE NO. 160099	10
NO. 16412.78	GLASS CLEANING BLADE NO. 16412	46
NO. 170.54	CERAMIC BLADE NO. 170	35
NO. 1760099.25	CERAMIC BLADE NO. 60099C	32
NO. 1765232.25	CERAMIC BLADE NO. 65232C	33
NO. 179.60	STYROPOR BLADE NO. 179	80
NO. 1792.25	CERAMIC BLADE NO. 92C	34
NO. 17940.60	STYROPOR BLADE NO. 17940	81
NO. 192.66	INDUSTRIAL BLADE NO. 192	47
NO. 192043.66	INDUSTRIAL BLADE NO. 192043	48
NO. 196.60	SCRAPER BLADE NO. 196	49
NO. 199.70	TRAPEZOID BLADE NO. 199	4
NO. 21.50	SCALPEL BLADE NO. 21	105
NO. 23.50	SCALPEL BLADE NO. 23	106
NO. 24.50	SCALPEL BLADE NO. 24	107
NO. 25.50	SCALPEL BLADE NO. 25	108
NO. 27.50	GRAPHIC BLADE 27	112
NO. 28.50	GRAPHIC BLADE 28	113
NO. 29.50	CONVEX BLADE NO. 29	131
NO. 32.50	GRAPHIC BLADE 32	114
NO. 33.50	CONVEX BLADE NO. 33	132
NO. 34.50	GRAPHIC BLADE 34	110
NO. 3448.20	SECUMAX BLADE NO. 3448	141
NO. 35010.50	INDUSTRIAL BLADE NO. 35010	50
NO. 35020.50	INDUSTRIAL BLADE NO. 35020	51
NO. 35030.50	INDUSTRIAL BLADE NO. 35030	52
NO. 3550.20	SECUMAX BLADE NO. 3550	140

Order number	Product name	Page
NO. 36.50	SCALPEL BLADE NO. 36	109
NO. 36010.50	INDUSTRIAL BLADE NO. 36010	53
NO. 36013.39	INDUSTRIAL BLADE NO. 36013	54
NO. 36015.39	INDUSTRIAL BLADE NO. 36015	55
NO. 36020.50	INDUSTRIAL BLADE NO. 36020	56
NO. 36030.50	INDUSTRIAL BLADE NO. 36030	57
NO. 37010.50	INDUSTRIAL BLADE NO. 37010	58
NO. 37020.50	INDUSTRIAL BLADE NO. 37020	59
NO. 37030.50	INDUSTRIAL BLADE NO. 37030	60
NO. 37040.60	INDUSTRIAL BLADE NO. 37040	61
NO. 37044.60	INDUSTRIAL BLADE NO. 37044	62
NO. 379.60	STYROPOR BLADE NO. 379	82
NO. 42045.50	TRAPEZOID BLADE NO. 42045	11
NO. 42063.70	TRAPEZOID BLADE NO. 42063	12
NO. 44.50	REINFORCED RAZOR BLADE NO. 44	36
NO. 45.60	INDUSTRIAL BLADE NO. 45	37
NO. 51.70	TRAPEZOID BLADE NO. 51	13
NO. 52.70	TRAPEZOID BLADE NO. 52	14
NO. 5232.70	TRAPEZOID BLADE NO. 5232	5
NO. 5233.70	TRAPEZOID BLADE NO. 5233	15
NO. 54.42	TRAPEZOID BLADE NO. 54	16
NO. 54065.70	TRAPEZOID BLADE NO. 54065	17
NO. 56.70	HOOK BLADE NO. 56	29
NO. 5634.70	HOOK BLADE NO. 5634	30
NO. 60.70	HOOK BLADE NO. 60	31
NO. 60044.50	REINFORCED RAZOR BLADE NO. 60044	63
NO. 60092.66	INDUSTRIAL BLADE NO. 60092	64
NO. 60095.70	TRAPEZOID BLADE NO. 60095	18
NO. 60099.70	TRAPEZOID BLADE NO. 60099	6
NO. 605.50	GRAPHIC BLADE 605	111
NO. 606.50	GRAPHIC BLADE 606	115
NO. 61.70	TRAPEZOID BLADE NO. 61	19
NO. 610.70	TRAPEZOID BLADE NO. 610	20
NO. 61329.50	TRAPEZOID BLADE NO. 61329	21
NO. 618.50	CHISELING BLADE NO. 618	128
NO. 623.50	CONVEX BLADE NO. 623	129
NO. 624.50	GRAPHIC BLADE 624	116
NO. 629.50	GRAPHIC BLADE 629	117
NO. 640.50	GRAPHIC BLADE 640	118
NO. 643.50	SMALL SPECIAL PURPOSE BLADE NO. 643	88
NO. 65.83	INDUSTRIAL BLADE NO. 65	65
NO. 65232.70	TRAPEZOID BLADE NO. 65232	7
NO. 673.50	NEEDLE BLADE NO. 673	133
NO. 674.50	TRIMMING BLADE NO. 674	130
NO. 677.50	GRAPHIC BLADE 677	119
NO. 679.50	CONVEX BLADE NO. 679	134
NO. 680.50	GRAPHIC BLADE 680	120
NO. 69040.50	INDUSTRIAL BLADE NO. 69040	66

TABLE OF CONTENTS.

NUMERICAL.

Order number	Product name	Page
NO. 692.60	POINTED BLADE NO. 692	142
NO. 702.04	LARGE SPECIAL PURPOSE BLADE NO. 702	96
NO. 712.59	FIBERGLASS BLADE NO. 712	67
NO. 72.50	GRAPHIC BLADE 72	121
NO. 756.50	360° SWIVEL BLADE NO. 756	135
NO. 76.60	SNAP-OFF-BLADE NO. 76	87
NO. 760.50	POINTED BLADE NO. 760	143
NO. 761.08	POINTED BLADE NO. 761	144
NO. 77.60	SNAP-OFF-BLADE NO. 77	86
NO. 779.40	LARGE SPECIAL PURPOSE BLADE NO. 779	97
NO. 78.50	TRAPEZOID BLADE NO. 78	22
NO. 784.50	GRAPHIC BLADE 784	122
NO. 79.60	STYROPOR BLADE NO. 79	78
NO. 791.50	360° SWIVEL BLADE NO. 791	136
NO. 7940.60	STYROPOR BLADE NO. 7940	79
NO. 795.50	360° SWIVEL BLADE NO. 795	137
NO. 797.50	360° SWIVEL BLADE NO. 797	138
NO. 798.50	360° SWIVEL BLADE NO. 798	139
NO. 81.32	INDUSTRIAL BLADE NO. 81	68
NO. 834.65	GRAPHIC BLADE 834	123
NO. 83615.35	INDUSTRIAL BLADE NO. 83615	69
NO. 83630.35	INDUSTRIAL BLADE NO. 83630	70
NO. 83715.31	INDUSTRIAL BLADE NO. 83715	71
NO. 83730.35	INDUSTRIAL BLADE NO. 83730	72
NO. 852.42	TRAPEZOID BLADE NO. 852	23
NO. 85232.70	TRAPEZOID BLADE NO. 85232	24
NO. 85233.70	TRAPEZOID BLADE NO. 85233	25
NO. 86.60	STYROPOR BLADE NO. 86	84
NO. 8605.65	GRAPHIC BLADE 8605	124
NO. 8606.65	GRAPHIC BLADE 8606	125
NO. 8629.65	GRAPHIC BLADE 8629	126
NO. 869.60	INDUSTRIAL BLADE NO. 869	73
NO. 87.60	INDUSTRIAL BLADE NO. 87	74
NO. 8784.50	GRAPHIC BLADE 8784	127
NO. 879.60	STYROPOR BLADE NO. 879	83
NO. 8852.70	TRAPEZOID BLADE NO. 8852	26
NO. 889.57	INJECTOR BLADE NO. 889	75
NO. 89.57	INJECTOR BLADE NO. 89	76
NO. 92.66	INDUSTRIAL BLADE NO. 92	38
NO. 92043.66	INDUSTRIAL BLADE NO. 92043	39
NO. 96.60	SCRAPER BLADE NO. 96	77
NO. 98.70	HOOK BLADE NO. 98	28
NO. 99.70	TRAPEZOID BLADE NO. 99	8

MADE IN SOLINGEN. MADE FOR YOU.

MARTOR products are available in more than 70 countries. In many countries we are represented by partner companies. Suppliers of MARTOR products located all over the world can be found at www.martor.com under "Distributors".



MARTOR KG
Lindgesfeld 28
42653 Solingen
Germany
www.martor.com

AMERICA

MARTOR USA (Part of
MARTOR group of companies)
USA, Canada
www.martorusa.com

BIOSEIF SRL

Argentina, Brazil, Chile,
Uruguay
www.bioseif.com.ar

Frago Corporativo S.A. de C.V.

Mexiko, Colombia, Costa Rica,
Ecuador, Guatemala, Peru,
Venezuela
www.martor.com

EUROPE

MARTOR sàrl (Part of
MARTOR group of companies)
France
www.martor.fr

MARTOR UK Limited (Part of
MARTOR group of companies)
United Kingdom, Ireland
www.martor.co.uk

Akta Trading Holland B.V.
Netherlands
www.martor.nl

**RONOX S.C. Joanna Rozanski -
Pawel Rozanski**
Poland
www.ronox.pl

MARTOR Direct ESPANA, S.L.
Spain, Morocco, Portugal
www.martor.com

Tomas Svitek - ARANGO
Czech Republic, Slovak Republic
www.arango.cz

PROTEKTOR 2001 Kft.
Hungary
www.protektor2001.hu

ASIA

Magen-Optic Ltd.
Israel
www.magenoptic.co.il

Mira Is Sagligi Mak Enerji Ltd.Sti
Turkey
www.mirais.com.tr

AUSTRALIEN

MARTOR Australia
Australia, Federated States of
Micronesia, Marshall Islands,
Nauru, New Zealand,
Palau, Papua New Guinea,
Salomon Islands, Samoa,
Tonga, Tuvalu, Vanuatu
www.martoraustralia.com.au

IMPRINT

Publisher & Copyright:
MARTOR KG © 2024

THE REFINEMENT: SERVICE AND ADVICE OF MARTOR.

What is it that makes our cutting solutions even safer? Our advisory services. We are always there for you and help you with usage examples, training material and, of course, personal assistance.

You will find further information on our website: www.martor.com



Any further questions? Then please do not hesitate to contact our customer service team.

Do you want to stay informed?
Then follow us on:

